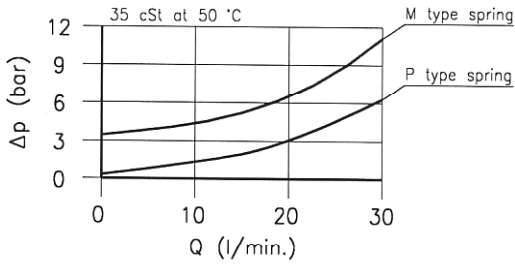
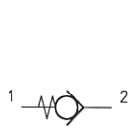
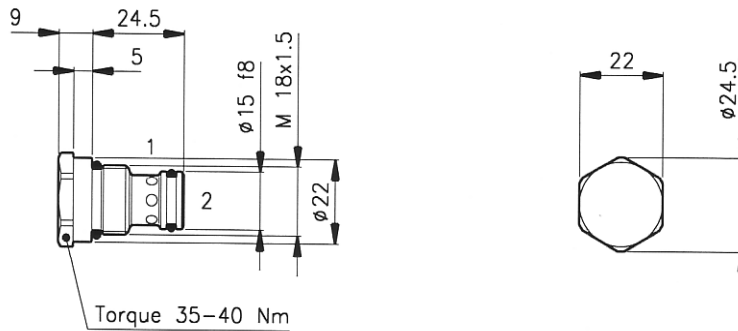


Technical features



Cavity	(For dimensions see catalogue 17.000)	S 20/2
Nominal flow	(l/min.)	25
Max. pressure	(bar)	210
Cracking pressure	(bar)	0.35-3.5
Fluid viscosity range	(cSt)	2.8 - 380
Fluid temperature range	(°C)	-20 +80
Mass	(kg)	0.050
Hydraulic fluid; mineral oil HM and HV	ISO 6074	
Recommended filtration; 19/15 ISO 4466	(25 μ absolutes)	
Standard seals in Polyurethane and Buna N		

Dimensions



Ordering informations

CAB 20/M

CAB 20 = Valve type



Standard springs

P = 0.35 bar

M = 3.5 bar

Codes:

CAB 20/P	22 011 100
CAB 20/M	22 011 101
External seals kit	90 620 100

CAB 20 valves can be assembled on standard bodies 20-LO series; for dimensions see catalogue 16.010