

Automatic intermittent piston pump

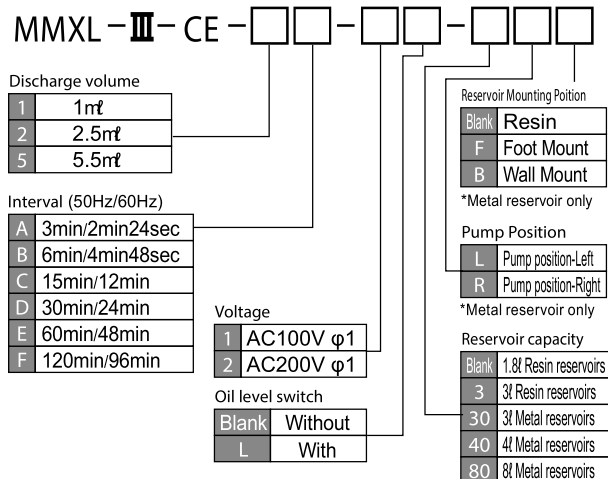
MMXL-III

Automatic intermittent pump incorporating a small energy-saving motor. Interval is controlled by the RPM of the motor so no external controllers or timers are needed. Widely used for small machines in many different industries.



[CE]

Model Reference



Specifications

Pump	Discharge volume	0.2-1.0ml/stroke 1.5-2.5ml/stroke 2.5-5.5ml/stroke
	Discharge pressure	0.3MPa
Motor (Other voltages available.)	Power	AC100Vφ1/50mA, AC200Vφ1/25mA (50Hz) AC100Vφ1/42mA, AC200Vφ1/18mA (60Hz)
	Output	3W Synchronous Motor
Emergency detection	Oil level switch	Contact type A contact (NO) ON at low level Contact capacity 0.5A, AC DC200V/30W smaller
Operation rating	Continuous	
Working viscosity range	32-1300mm ² /s	
Reservoir capacity	1.8l, 3l (plastic) 3l, 4l, 8l (sheet metal)	
Weight	1.8kg (With 1.8l Reservoirs)	
Protection class	IP54 (CE Approved type)	

Model

Model	Part Number	Model	Part Number	Model	Part Number
MMXL-III CE-1A-1	367001	MMXL-III CE-1D-1L	367058	MMXL-III CE-2A-2	367025
MMXL-III CE-1A-1L	367055	MMXL-III CE-1D-2	367010	MMXL-III CE-2A-2L	367079
MMXL-III CE-1A-2	367007	MMXL-III CE-1D-2L	367064	MMXL-III CE-2B-1	367020
MMXL-III CE-1A-2L	367061	MMXL-III CE-1E-1	367005	MMXL-III CE-2B-1L	367074
MMXL-III CE-1B-1	367002	MMXL-III CE-1E-1L	367059	MMXL-III CE-2B-2	367026
MMXL-III CE-1B-1L	367056	MMXL-III CE-1E-2	367011	MMXL-III CE-2B-2L	367080
MMXL-III CE-1B-2	367008	MMXL-III CE-1E-2L	367065	MMXL-III CE-2C-1	367021
MMXL-III CE-1B-2L	367062	MMXL-III CE-1F-1	367006	MMXL-III CE-2C-1L	367075
MMXL-III CE-1C-1	367003	MMXL-III CE-1F-1L	367060	MMXL-III CE-2C-2	367027
MMXL-III CE-1C-1L	367057	MMXL-III CE-1F-2	367012	MMXL-III CE-2C-2L	367081
MMXL-III CE-1C-2	367009	MMXL-III CE-1F-2L	367066	MMXL-III CE-2D-1	367022
MMXL-III CE-1C-2L	367063	MMXL-III CE-2A-1	367019	MMXL-III CE-2D-1L	367076
MMXL-III CE-1D-1	367004	MMXL-III CE-2A-1L	367073	MMXL-III CE-2D-2	367028

•Related parts

