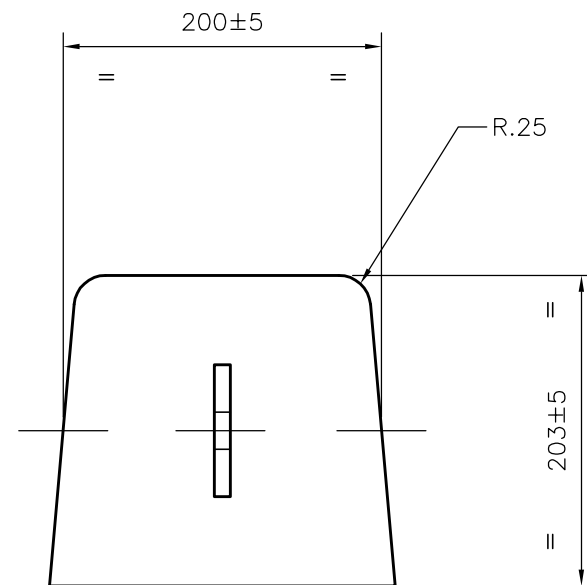
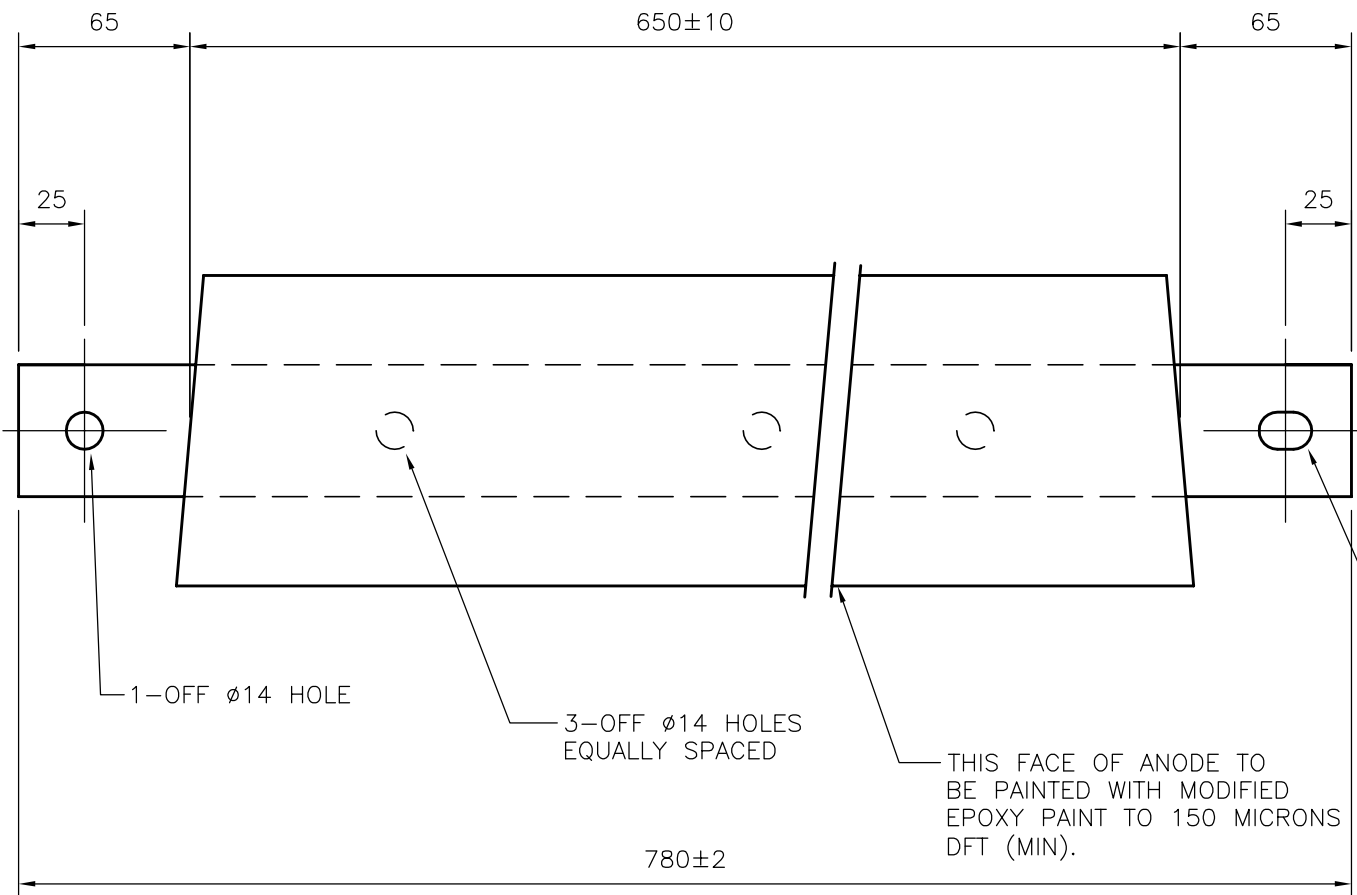


DO NOT SCALE

ALL DIMENSIONS IN MILLIMETRES UNLESS OTHERWISE STATED

IF IN DOUBT ASK

DRG No. 1166-01



NETT WEIGHT = 70.9 KG  
 CORE WEIGHT = 2.2 KG  
 GROSS WEIGHT = 73.1 KG

ANODIC MATERIAL - AL-ZN-IN ALLOY TO pr EN 12496  
 INSERT MATERIAL - 60 x 6 F.B. MILD STEEL TO BS EN 10025 S275JR  
 INSERT TREATMENT - GRIT BLASTED TO ISO8501-1 SA 2.5

CUSTOMER ANODE TYPE Al-α

DRAWN	J.E.						
DATE	20/06/01						
SCALE	N.T.S.						
CHECKED	W.S.						
DATE	20/06/01	21/08/12	01	ISSUED ON CAD	MP	MJP	
		DATE	REV	REVISION	DRN	APP	

THIS DRAWING IS COPYRIGHT/DESIGN RIGHT AND MAY NOT BE REPRODUCED WITHOUT WRITTEN PERMISSION.

TITLE  
ANODE TYPE  
709XT

Telephone: 01922 714400



DRG No. 1166  
 DRG No. 01

Impalloy Limited,  
 Willenhall Lane,  
 Bloxwich,  
 Walsall,  
 West Midlands,  
 WS3 2XN

Fax: 01922 714455