

ML-U MP9 Series



This is the latest FA Lens for machine vision, capable for large-format sensor ($\phi 17.6\text{mm}$). It is realized to offer market-leading $3.45\mu\text{m}/\text{pix}$ high resolving design on 8 types, ranging from f6mm to f75mm. Those FA Lens allows the latest 12M sensor to demonstrate its full performance,

Features

- 8 types, Products lineup from f6mm to f75mm
- High resolution design : Available up to 12M sensor
- Brightness : Fno 1.4 to 1.8
- Image format : 17.6mm (capable for Type 1.1" sensor)

Primary Applications

Inspection



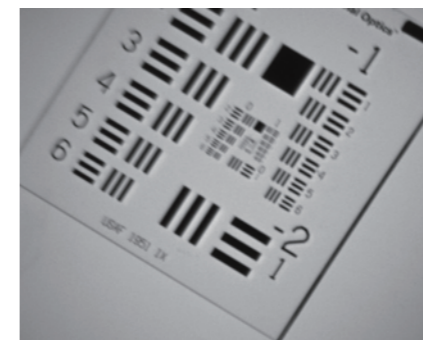
Specifications

Model name	Focal Length (mm)	Fno (∞)	IF (mm)	Pixel size (μm)	Distance of closest approach (m)	Mag. of closest approach (X)	FOV*1 (mm)	TV Distortion (%)
ML-U0618MP9	6	1.8	17.6	3.45	0.1	0.05	201×273	-2.408
ML-U0814MP9	8	1.4			0.1	0.067	144×192	-2.235
ML-U1214MP9	12	1.4			0.1	0.1	92×122	-0.39
ML-U1614MP9	16	1.4			0.1	0.14	69×92	-0.458
ML-U2514MP9	25	1.4			0.1	0.24	40×53	-0.037
ML-U3514MP9	35	1.4			0.15	0.25	39×52	-0.286
ML-U5016MP9	50	1.6			0.3	0.19	50×66	-0.053
ML-U7518MP9	75	1.8			0.8	0.11	84×112	0.008

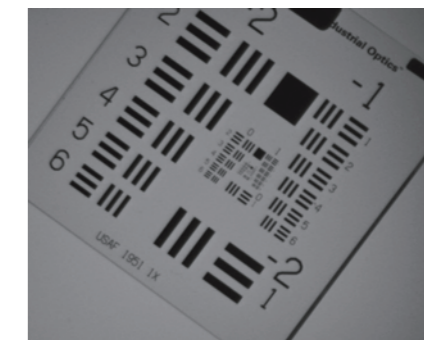
*1 FOV for 1" sensor

Relative data of similar products

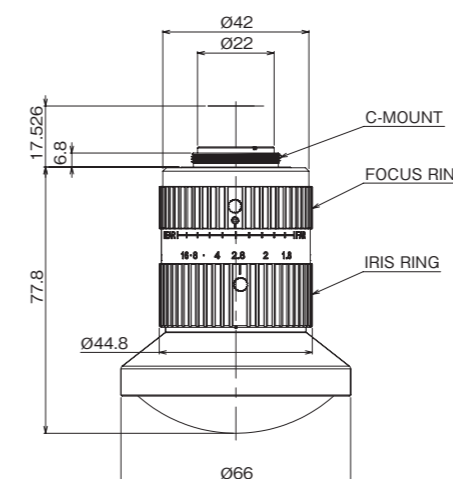
Similar product



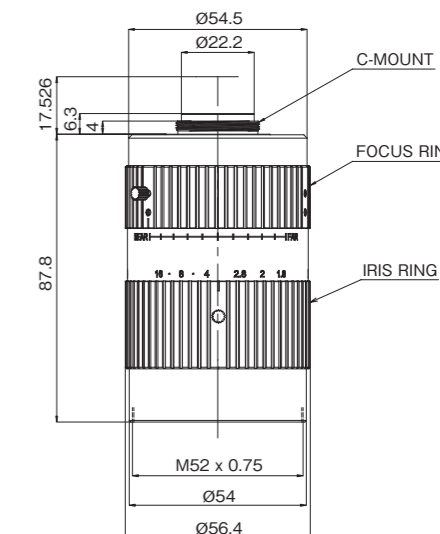
ML-U0618MP9



Drawing



ML-U0618MP9



ML-U7518MP9

for 4/3" sensor ML-0310VF

Varifocal lens with optimized magnification and working distance for FA.

The key features of this lens are the support of large, up to 1.2" camera and the varifocal, variable magnification for wide field of views. This lens is great for high speed and high resolution image recognition.

