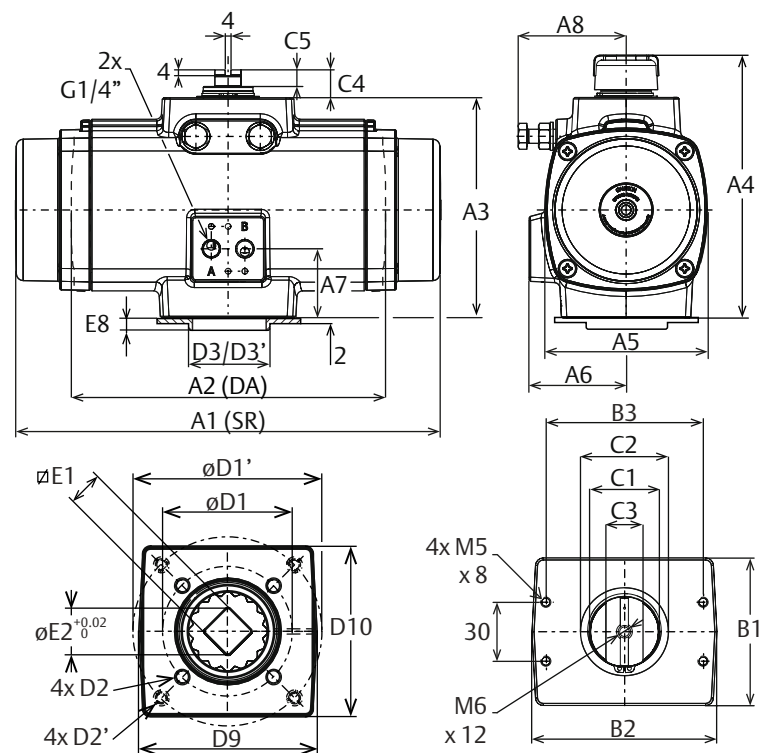


# Data sheet F 350

## Metric - DIN3337



Dim. in mm		Size 350							
A1	A2	A3	A4	A5	A6	A7	A8	E1 Max.	
385	284	201	230	161	85	42	109	22,10	
B1	B2	B3	C1	C2	C3	C4	C5	E1 Min.	
85	100	80	36	45	19	20	12	22,00	
D1	D2	D3	D1'	D2'	D3'	D9	D10	E2	
102	M10x15	70	70	M8x13	50	94	94	36,20	

Principle	
Pneumatic rack & pinion actuator	
General data	
Bore	145 mm
Stroke	37.7 mm
Weight	SR 14.5 kg
	DA 10.2 kg
Volume	Port A 2.14 L
	Port B 1.88 L
Air connection	2x G1/4" (BSP)
Pressure range	MOP 8.3 barg
	SR 3 - 8.3 barg
	DA 0.2 - 8.3 barg
Pressure media	Clean, dry or lubricated air or inert gas.
Cycle speed DA <sup>(2)</sup>	Open 1.9 Sec.
	Close 1.3 Sec.
Cycle speed SR <sup>(2)</sup>	Open 1.4 Sec.
	Close 1.5 Sec.
Temperature range	-20°C to +80°C
Lubrication	Lubricated for life <sup>(1)</sup>
Stroke	90°
Over / Undertravel	+5° / -5° at each end
Finish	Polyurethan powder coat

1. According EN 15714-3.
2. Test conditions:  
Solenoid with flow capacity: 0.6 m<sup>3</sup>/hr; Pipe diameter: 6mm; Medium: clean air, Supply pressure: 5.5 barg ~ 80psig; Load: with average load; Stroke: 90°; Temperature: Room temperature
3. Dimensions D1, D2 und D3 are standard. Dimensions D1', D2' und D3' are optional.

Torque Output (Nm)																				
Spring Return			Air Stroke Torque (Nm)																	
Spring set	Spring Stroke Torque		3.0 barg		3.5 barg		4.0 barg		4.5 barg		5.0 barg		5.5 barg		6.0 barg		7.0 barg		8.0 barg	
	Start	End	Start	End	Start	End	Start	End	Start	End	Start	End	Start	End	Start	Start	Start	End	Start	End
10	56	35	189	165	227	204	266	243	305	281	344	320	383	359	422	398	499	476	577	553
20	112	70	148	101	187	139	226	178	265	217	303	256	342	295	381	334	459	411	537	489
30	168	106	108	36	146	75	185	114	224	153	263	192	302	231	341	269	418	347	496	425
40	224	141	-	-	106	11	145	50	184	89	222	127	261	166	300	205	378	283	455	360
50	280	176	-	-	-	-	-	-	143	24	182	63	221	102	260	141	337	218	415	296
60	335	211	-	-	-	-	-	-	-	-	-	-	180	38	219	77	297	154	374	232
<b>Double acting</b>			216		253		290		326		363		400		436		510		583	

### Notes:

- Volume is the actual free air volume at 1 atm
- Flange and square drive to ISO 5211
- Solenoid mounting interface according to VDI/VDE 3845 (NAMUR)
- For further information regarding options, materials, certifications and additional execution please contact your regional sales office

### European Directives:

- PED : suitable for use with group 2 gases according to Pressure Equipment Directive 97/23/EC
- ATEX : suitable for use in hazardous areas classified II 2 GD, zones 1 or 2 (gases) and 21 or 22 (dust)
- For the configuration code please consult EFG.02.01.EN