

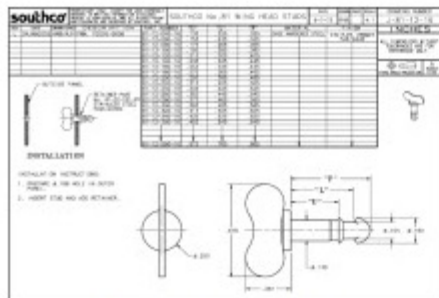
81/82/85 - DZUS® Lion Quarter-Turn Fasteners

Products > Quick Access Fasteners > DZUS® Quarter-Turn Fasteners > DZUS® Turn-To-Close, Turn-To-Open Quarter-Turn Fasteners

Part Number: 85-34-201-20

Specifications

Material	Stainless Steel
Finish	Passivated
Color/Appearance	Bright
Size Series	Large Size
Type	Retainer



[Download trade drawing](#)



[CAD Download](#)



[Request Samples](#)



[Add to Saved Products](#)



[Product Specs](#)



[Pricing & Availability](#)

[Accessories](#)

[Available Modifications](#)

[Additional Information](#)



85 - Demonstration Panel
28-85-300-20

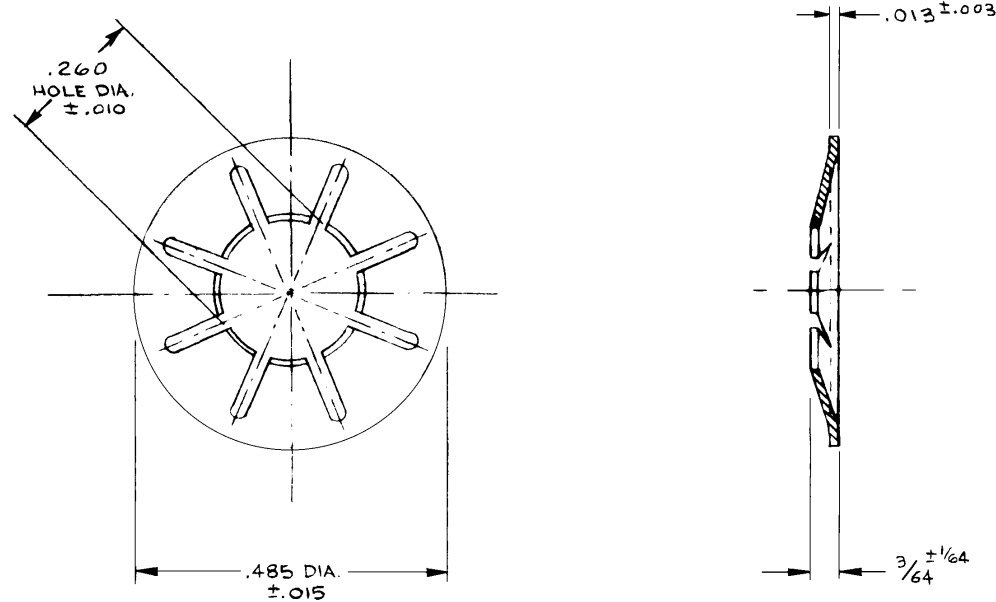


SOUTHCO No 85 PUSH ON RETAINER

DATE	DRAWN	CHKD	SCALE	DRAWING NUMBER
11-7-72	ESK		N.T.S.	J-85-34-201-20

REV. LET.	DATE	BY-CHKD	REVISIONS	PART NO	MATERIAL	FINISH			R.S.	DATE	APP
A	6-25-76	ESK	FINISH WAS CAD. PL. (PRN-85-20)	85-34-201-20	STAINLESS STEEL	PASSIVATE			A		
B	6-14-77	PEK	PRN-120-14						B		
C	10-10-79	ESK	PRN-85-33						C		
D	2-8-82	ASF	PRN 5-1-01						D		
E	12JAN93	JC	PRN: S-1-03								

REF. G.M. PART No 15701717



PROPRIETARY ITEM - EXCEPT FOR USES EXPRESSLY GRANTED IN WRITING, INFORMATION DISCLOSED HEREON IS CONFIDENTIAL AND ALL RIGHTS, PATENT AND OTHERWISE, ARE RESERVED BY SOUTHCO, INC.

TOLERANCE UNLESS OTHERWISE NOTED
 DECIMALS : FRACTIONS : ANGLES :

DRAWING NUMBER
J-85-34-201-20