



Inverter module 1,1 to 2,2 kW (BG2)



Type CDA-34.004, C1.0

Order code

CDA3 ., x.x, , ...

Technical data

Cooling method

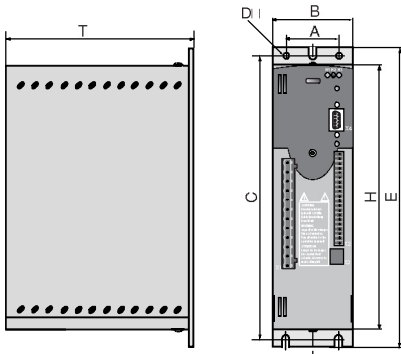
Version

For complete ordering data please refer to the following tables.

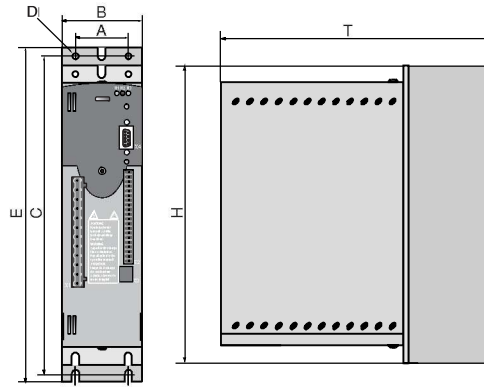
| Order code | CDA32.006 | CDA32.008 | CDA34.005 | CDA34.006 |
|---|---|--------------------------|-----------------------------------|-----------------------------------|
| Techn. data | | | | |
| Output motor side | | | | |
| Recommended rated power with 4-pole standard motor | 1.1 kW | 1.5 kW | 1.5 kW | 2.2 kW |
| Device rated power | 2.3 kVA | 3.0 kVA | 3.0 kVA | 4.2 kVA |
| Voltage | 3 x 0 ... 230 V | 3 x 0 ... 230 V | 3 x 0 ... 400/460 V ¹⁾ | 3 x 0 ... 400/460 V ¹⁾ |
| Effective rated current (I _N at 4/8 kHz) | 5.5 A | 7.1 A | 4.1 A | 5.7 A |
| Peak current 1,8 x I _N (4,8 kHz) for 30s | 9.9 A ²⁾ | 12.8 A ²⁾ | 7.4 A ²⁾ | 10.3 A ²⁾ |
| Rotating field frequency | 0 ... 400 Hz | | | |
| Switching frequency of power stage | 4, 8, 16 kHz (factory setting 8 kHz at 40 °C cooling air temperature) | | | |
| Input mains side | | | | |
| Mains voltage | 1 x 230 V -20 % +15 % | 1 x 230 V -20 % +15 % | 3 x 460 V -25 % +10 % | 3 x 460 V -25 % +10 % |
| Asymmetry of mains voltage | - | - | ±3 % max. | |
| Frequency | 50/60 Hz ±10 % | | | |
| Power loss 4, 8 (16) kHz | 75/ 82 W | 95/ 105 W | 80/ 112 W | 106/ 148 W |
| Braking chopper power electronics | | | | |
| Peak braking power with internal braking resistor (only version CDA34 ..., Wx.x, BR) | - | - | - | 1,6 kW at 360 Ω |
| Minimum ohmic resistance of an externally installed braking resistor | 56 Ω | 56 Ω | 180 Ω | 180 Ω |
| <p>1) Allowed currents at 460 V are documented on page 2-2 and 2-.</p> <p>2) For further data of currents see page 2-2 and 2-3.</p> | | | | |



| Cooling method | CDA32.006, <u>C</u> x.x | CDA32.008, <u>C</u> x.x | CDA34.005, <u>C</u> x.x | Drawing |
|--|---|---|----------------------------|---------|
| Mechanics | | | | |
| Protection type | IP20 | | | |
| Cooling air temperature | 45°C (at 4kHz switching frequency of power stage) | | | |
| Weight | 2.3 kg | | | |
| Mounting | | | | |
| Single mounting | additional cooling via switching cabinet mounting plate (unvarnished) of 0.3 m ² | | | |
| End-to-end mounting of multiple inverter modules | only with accessories HS32.200 or HS32.2BR | only with accessories HS32.200 / HS34.2BR | | |
| Dimensions | | | | |
| BG2 [mm] | | | | |
| W (width) | 70 | | | |
| H (height) | 218 | | | |
| D (depth) | 145 | | | |
| A | 50 | | | |
| C | 230 | | | |
| E | 240 | | | |
| D | ∅ 4.8 | | | |
| vertical mounting, Cold Plate | | | | |



| Cooling method | CDA34.006, <u>W</u> x.x | Drawing |
|-------------------------------|--|---------|
| Mechanics | | |
| Protection type | IP20 | |
| Cooling air temperature | 45°C (at 4kHz switching frequency of power stage) | |
| Weight | 3.5 kg | |
| Dimensions | | |
| BG2 [mm] | | |
| W (width) | 70 | |
| H (height) | 240 | |
| D (depth) | 220 | |
| A | 40 | |
| C | 260 | |
| E | 270 | |
| D | ∅ 4.8 | |
| vertical mounting, Cold Plate | | |



| Version | Characteristics |
|------------------------------------|---------------------------|
| CDA34.006, <u>W</u> x.x, <u>BR</u> | Internal braking resistor |



Note: For appropriate heat sinks see page 3-10.