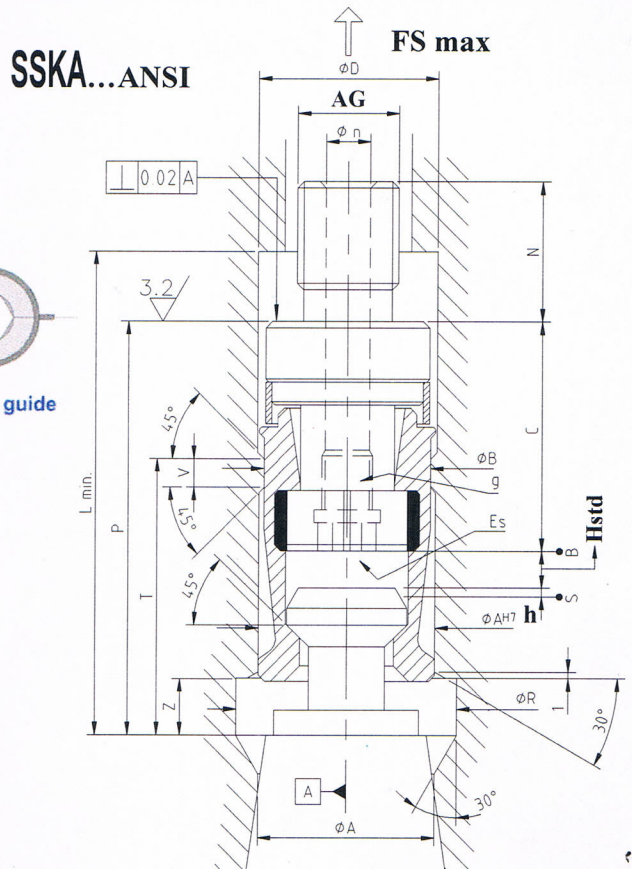
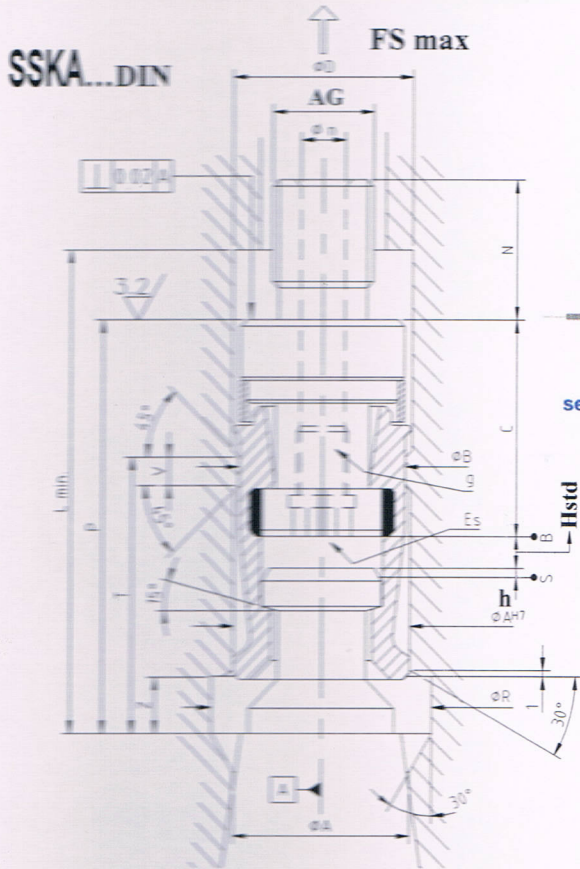


NOTE					
FS max	Forza Bloccaggio kN	Clamping force kN	Spannkraft kN	Force de blocage kN	Fuerza de bloqueo kN
B	Posizione di bloccaggio	Clamping position	Spannposition	Position de blocage	Posición de bloqueo
S	Posizione di sbloccaggio	Unlocking position	Abspannposition	Position de déblocage	Posición de desbloqueo
ES	Esagono di manovra	Operating hexagon	Bediungssechskant	Hexagone manoevre	Exagóno de maniobra
AG	Filetto esterno	External thread	aussen Gewinde	Filet extérieur	Rosca exterior
g	Filetto sicurezza	Safety thread	Sicherheitsgewinde	Assurance Filet	Rosca de seguridad
Hstd	Corsa sbloccaggio standard	Unlocking stroke standard	Abspannhub standard	Course de déblocage standard	Carrera de desbloqueo normal
h	Corsa di espulsione	Expulsion stroke	Ausstosshub max	Course d'expulsion	Carrera de expulsión
M	Momento forza serraggio	Clamping torque force	Anziehmoment	Moment force de serrage	Momento fuerza de bloqueo
(db)	Equilibratura dinamica	Dynamic balancing	dynamische Auswuchtung	Equilibrage dynamique	Equilibrio dinámico



TYPE	ISO	CODE	ISO	CODE	ISO	CODE	ISO	CODE	ISO	CODE
SSKA...DIN	30	38.202	40	38.204	45	38.206	50	38.208	60	38.210
SSKA...ANSI	30	38.212	40	38.214	45	38.216	50	38.218	60	38.220
φ A H7	mm	19		28		36		43		62
φ B	mm	17.8 (+0.1)		26.4 (+0.1)		33.7 (+0.1)		40.4 (+0.1)		58.6 (+0.1)
φ D min	mm	19.5		28.5		36.5		43.5		62.5
φ R	mm	24		35		45		54		74
AG	mm	M 10		M 16x1.5		M 18x1.5		M 22x1.5		M 30x1.5
g	mm	---		M 8		M 8		M 10		M 16
L min	mm	50		76		84		95		115
P	mm	47		65		75		87		110
N	mm	20		22		30		30		35
T	mm	37 (-0.1)		43.5 (-0.2)		50 (-0.2)		58 (-0.2)		72.5 (-0.2)
Z	mm	7.5		9		12		14		18
V	mm	3.5		4.5		4.5		5		6.5
φ n	mm	4		7		7		8.5		15
C DIN	mm	19.5		34		38		45		59.5
C ANSI	mm	33		44.7		48		54.5		62
Hstd DIN	mm	3.5		5		7		8		10.5
Hstd ANSI	mm	2.5		4.2		6		7		10
h	mm	2 max		2 max		2 max		2 max		2 max
FS max	kN	10		18		25		35		70
M	Nm	30		65		110		160		450
ES	mm	6		8		8		10		17