

ROSTFREI
Inox
Stainless
Steel

2 Type

- T3** with U-bolt latch, with catch
- T** without U-bolt latch, with catch



Size	F _H in N Holding capacity	a ₁	a ₂	b ₁	b ₂	b ₃	b ₄	b ₅	d ₁	d ₂	h ₁	h ₂
160	1600	5	25	26	35	21	25,5	14	M 4	4,3	37	10
320	3200	8	37	36	44	32	37	22	M 6	6,5	54	15
700	7000	13	45	52	54	38	48,5	26	M 8	8,5	67	23

Size	l ₁ ≈	l ₂ min.	m ₁	m ₂	m ₃	m ₄	m ₅	r ≈ at w ₂ = 0	s	w ₁ Stroke	w ₂ ≈ Adjustable range
160	68	4,5	22	6,5	13	6,7	14,3	50	2	34,5	12
320	106	6	25,5	8,5	19	10,5	20,5	78	3	53	21
700	147	8	36,5	10	32	13,5	27	102	3,5	64	30

Specification

- Steel —
 - Case-hardened steel C10 zinc plated, blue passivated
 - U-bolt latch Steel St 37 zinc plated, blue passivated
- Stainless Steel **NI**
 - Parts in sheet metal / U-bolt latch AISI 304
 - Pin AISI 303
- All moving parts lubricated with special grease
- Handle with plastic sleeve red, oil resistant
- *Stainless Steel characteristics* → Page 1489
- RoHS

Information

The stroke of the U-bolt latch of GN 851.1 latch type toggle clamps can be adjusted within its range.

In the clamped position the U-bolt latch with clamping arm is perpendicular to the clamping arm and the plane of the latch type toggle clamp.

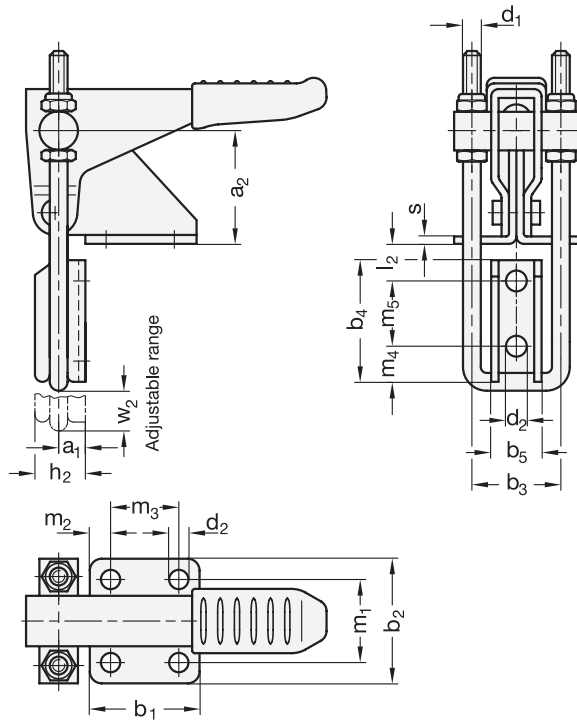
In addition to the standard lengths of the U-bolt latches shown in the table, a variety of other lengths are also available under the GN 951.1 series.

see also...

- *General information for toggle clamps* → Page 500
- *Square U-bolts GN 951.1* → Page 560

How to order (Steel) GN 851.1 - 700-T3	1	Size
	2	Type

How to order (Stainless Steel) GN 851.1-160-T3-NI	1	Size
	2	Type
	3	Material

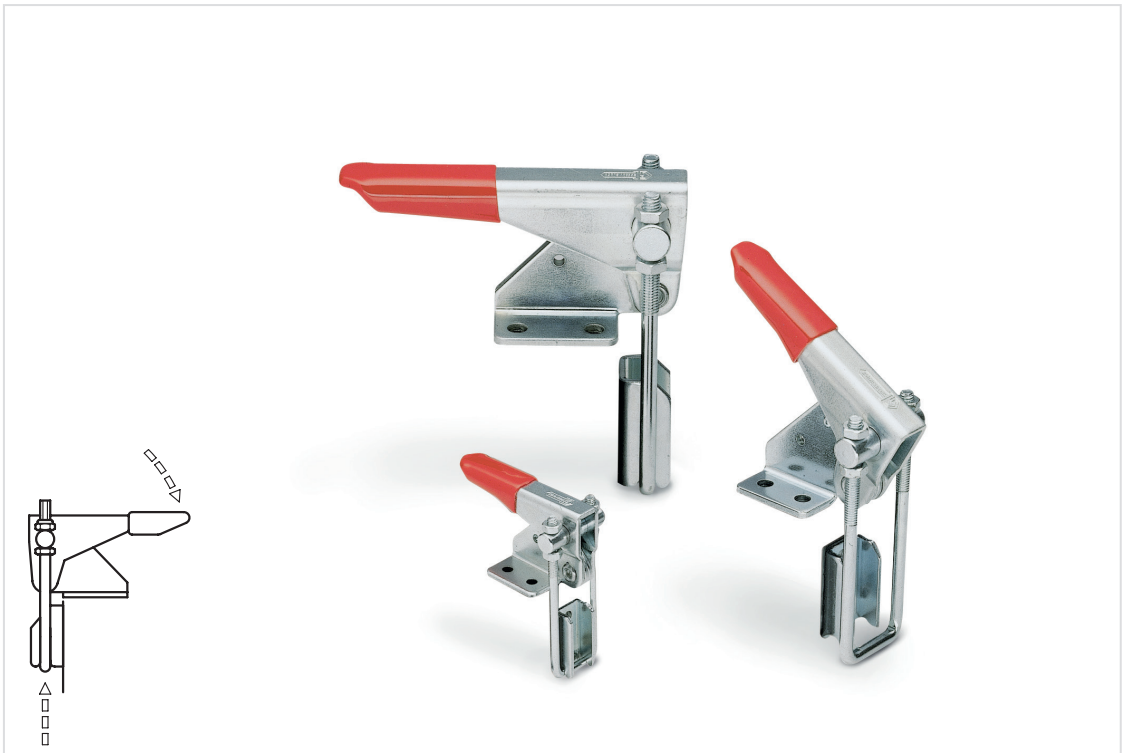


1.1

1.2

1.3

1.4



2.1

2.2

2.3

2.4

