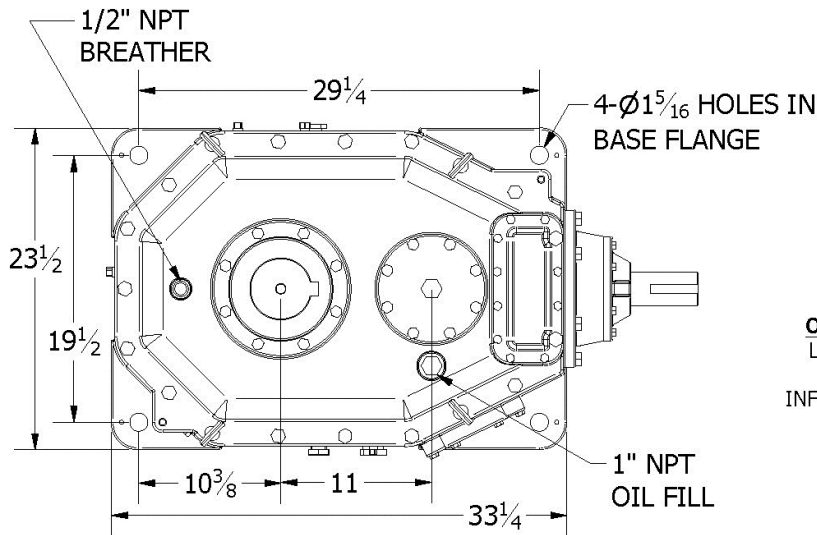


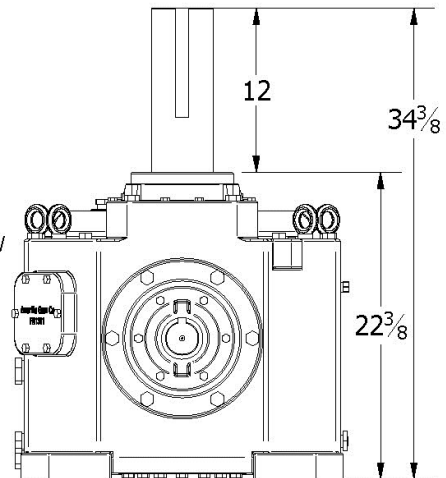
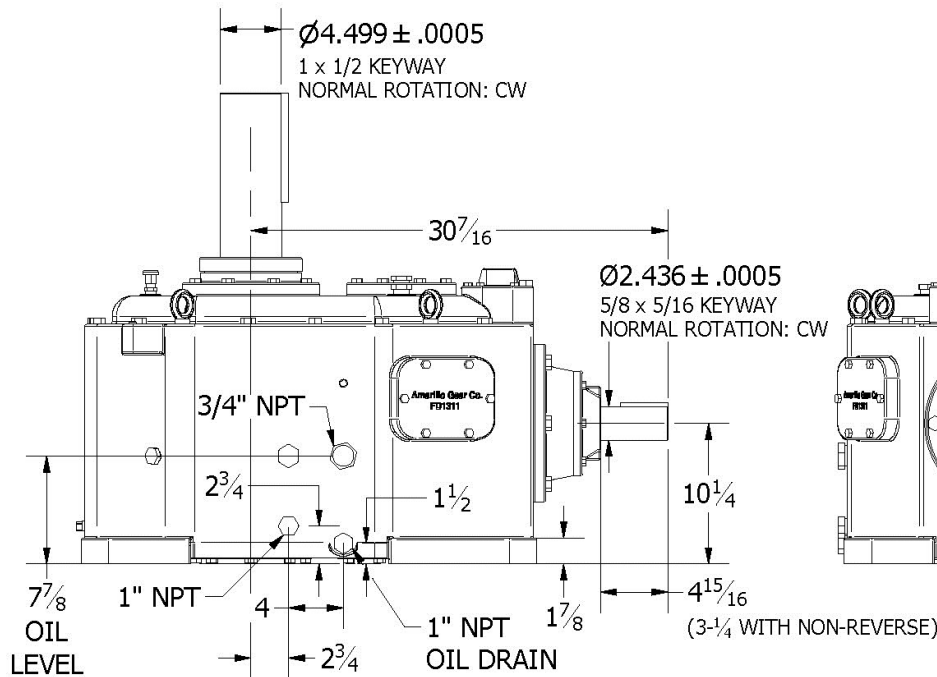
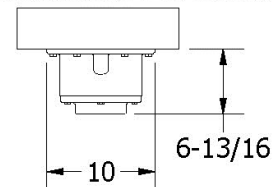
Amarillo Series Fan Drive

Model 1311



Amarillo Gear Company LLC reserves the right to make design modifications to our gear drives that may change the given dimensions. The dimensions shown in this document may not exactly reflect the dimensions of gear drives currently being offered. Request a *certified dimension print* for construction use.

OIL PUMP (OPTION) MINIMUM CLEARANCE
LOCATED BENEATH THE INTERMEDIATE SHAFT.
CONTACT THE FACTORY FOR ADDITIONAL
INFORMATION AND A CERTIFIED DIMENSION PRINT.



SERVICE HORSEPOWER RATINGS (2.0 SERVICE FACTOR)

Input (RPM)	Nominal Ratio									
	8.5	9	9.5	10	10.5	11	12	13	14	17
1750	208	206	198	190	183	176	165	160	155	137
1450	172	171	164	157	151	146	137	133	128	114
1160	138	137	131	126	121	117	109	106	103	91

THRUST CAPACITY: _____ 5950 lbs.
 OIL TYPE: _____ ISO 220 / AGMA 5 or 5S / No EP additives
 OIL CAPACITY: _____ 14 gallons (53 L)
 WEIGHT, DOMESTIC SHIPPING: _____ 1690 lbs.
 WEIGHT, EXPORT SHIPPING w/EXPORT BOX: _____ 1775 lbs.
 EXPORT BOX DIMENSIONS (L x W x H): _____ 48 x 28 x 41 (inches)