

Sanitary Sensor 4113

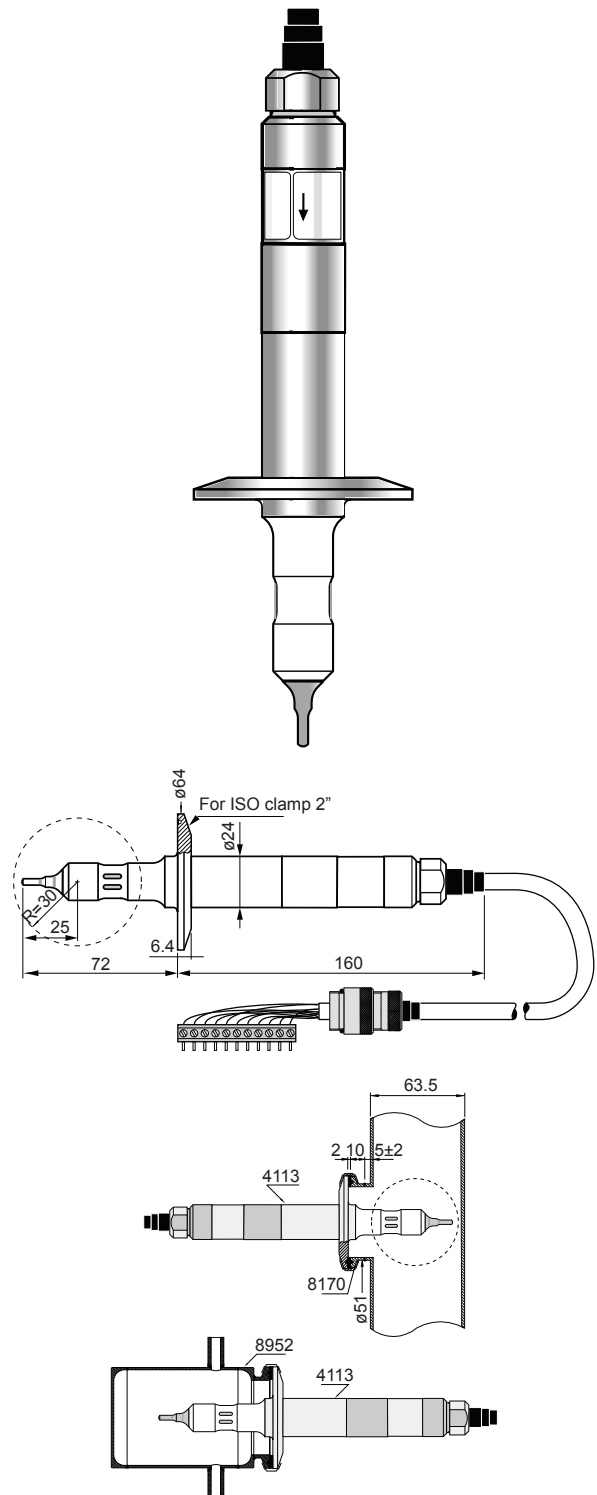
Sanitary open type

4-electrode conductivity sensor with external electrodes. Used with TCU series 3100 and 3300.

Technical data	
Materials	PTFE, silicone rubber and steel W 1.4404 (AISI 316L) Flange and cable connection: W 1.4404 (AISI 316L)
Pressure	12 bar at 150 °C
Cell constant	1.0 ± 0.5 % (electrically adjusted). Calibrated in a Ø63 mm SS pipe. Ø51 mm pipe gives an error of +6 %.
Reproduceability	±2 %
Linearity	From 200 000 to 20 µS/cm ± 2 % per decade
Temp. sensor	Pt 1000 (IEC 751 class A)
Time delay	T ₉₀ , 9 sec.
Protection	IP65 splash-proof (DIN 40 050)
Sensor cable	PVC 12 x 0.25 mm ² screened standard length 5 m max. temp. 70 °C
Connection	11-pole strip connector with MF20 cable adapter
Weight	1.1 kg

Mounting

Sensor mounting with a 2" ISO 2852 clamp (not included). Sensor has been calibrated in a measuring pipe: outside Ø63 mm, inside Ø60 mm. During factory calibration the electrodes are directed towards the pipe wall (see figure). If the original factory calibration will be used, mount the sensor in the same way; if the sensor is mounted to a larger pipe or with a different electrode direction, recalibration is required. Mount the sensor in a place where no air bubbles or sedimentation occur; do not mount on the upper side of a horizontal pipe.



For more information, contact your local Valmet office. www.valmet.com

Specifications in this document are subject to change without notice.
Product names in this publication are all trademarks of Valmet Corporation.