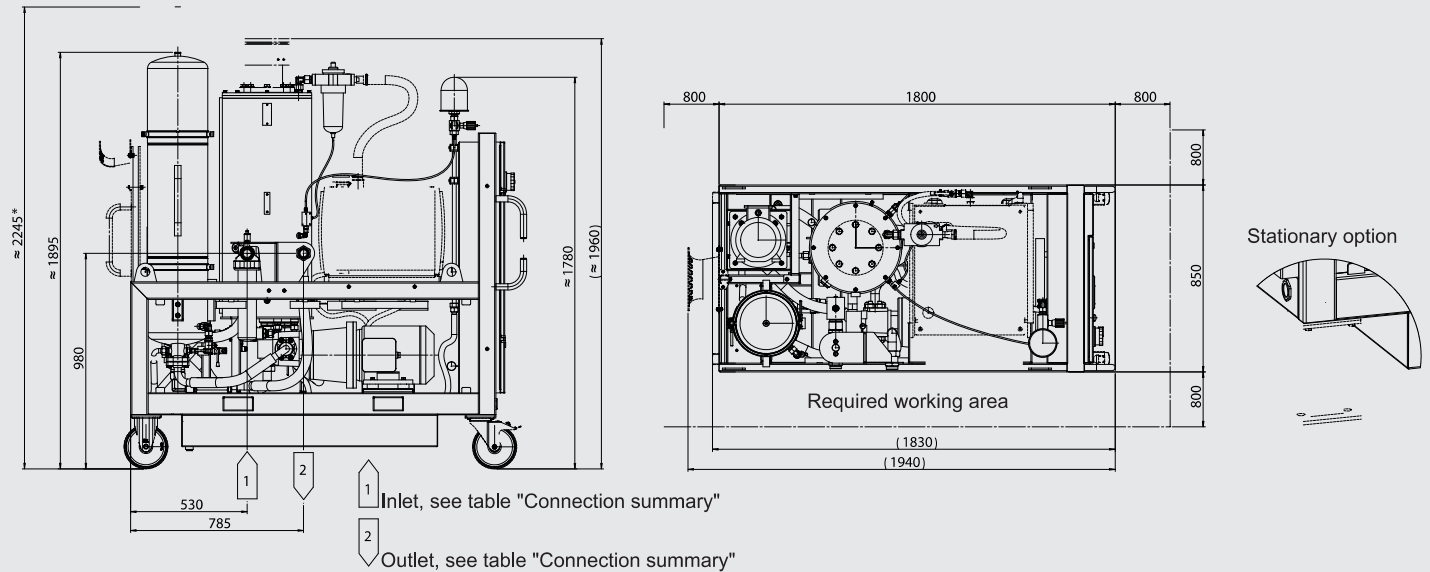


Measurements

FAM-60/75/95



Filter elements for suction filter

The suction filter is supplied fitted with a filter element.

FAM-25/45

1 filter element of the type 0160 D 200 W/HC is required.

Part number	Description	Filtration rating	Seal
1250304	0160 D 200 W/HC	200µm	NBR
1265447	0160 D 200 W/HC/-V	200µm	FKM

FAM-60/75/95

1 filter element of the type 0280 D 200 W/HC is required.

Part number	Description	Filtration rating	Seal
1269748	0280 D 200 W/HC	200µm	NBR
1271978	0280 D 200 W/HC/-V	200µm	FKM

Filter elements for fine filter

Filter elements for the fine filter must be ordered separately and must be fitted before commissioning on site.

FAM-25/45

OLF 10: 1 filter element of the type N10DMxxx is required.

Part number	Description	Filtration rating	Seal
3539235	N10DM002	2 µm	FKM
3539237	N10DM005	5 µm	FKM
3539238	N10DM010	10 µm	FKM
3539242	N10DM020	20 µm	FKM

FAM 60/75/95

OFU 2600: 1 filter element of the type 2600RxxxBN4HC/-KB (-V-KB) is required.

Part number	Description	Filtration rating	Seal
1263071 (1263784)	2600R003BN4HC/-KB (-V-KB)	3 µm	NBR (FKM)
1263072 (1263785)	2600R005BN4HC/-KB (-V-KB)	5 µm	NBR (FKM)
1263073 (1263786)	2600R010BN4HC/-KB (-V-KB)	10 µm	NBR (FKM)
1263074 (1263787)	2600R020BN4HC/-KB (-V-KB)	20 µm	NBR (FKM)

MRF 3/11/40: 11 filter elements of the type N40MRxxx-PES1F are required.

Part number	Description	Filtration rating	Seal
3509897	N40FM-P001-PES1F	1 µm	FKM
3536452	N40FM-P003-PES1F	3 µm	FKM
3506155	N40FM-P005-PES1F	5 µm	FKM
3506053	N40FM-P010-PES1F	10 µm	FKM
3491730	N40FM-P020-PES1F	20 µm	FKM