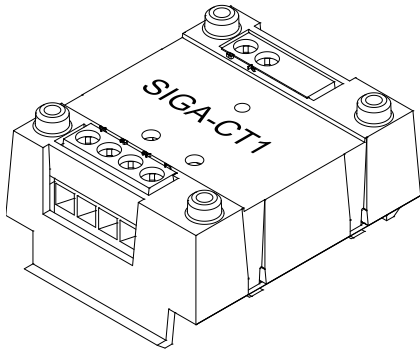




# SIGA-CT1 Single Input Module Installation Sheet



## Description

The SIGA-CT1 Single Input Module is an addressable device used to connect a Class B initiating device circuit (IDC) to a Signature loop controller.

The module requires one address on the signaling line circuit (SLC). Addresses are assigned electronically. There are no address switches.

Diagnostic LEDs provide visible indication of the state of the module:

- Normal: green LED flashes
- Alarm/active: red LED flashes

## Personality codes

The module requires the loop controller to download a personality code that determines how the module operates. Personality codes determine the operation of the circuit and whether the activation is latched or not. Table 1 lists the personality codes available for this module.

Table 1: Personality codes

Code	Description	UL/ULC	EN 54-18
1	Alarm – NO latching (Class B) (default)	P	
2	Alarm – NO delayed latching (Class B)	P	
3	Active - NO nonlatching (Class B)	P	P
4	Active - NO latching (Class B)	P	P
18	Alarm - soft short latching, European Style C (Class B)		P

## Installation

Install this device in accordance with applicable requirements of the latest editions of the local codes and standards and the local authority having jurisdiction.

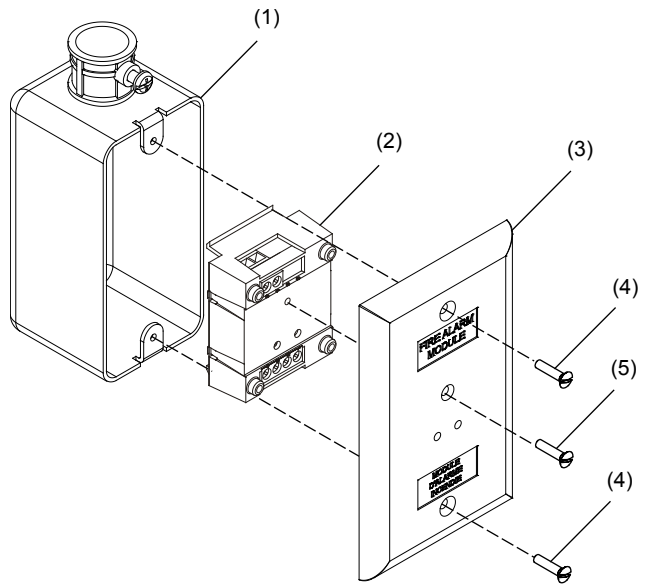
### Notes

- The module is shipped from the factory as an assembled unit; it contains no user-serviceable parts and should not be disassembled.
- This module does not operate without electrical power. As fires frequently cause power interruption, discuss further safeguards with the local fire protection specialist.
- This module does not support conventional smoke detectors.

### To install the module:

1. Write the address assigned to the module on the label provided, and then apply the label to the module. Remove the serial number label from the detector, and then attach it to the project documentation.
2. Wire the module as shown in “Wiring” on page 2.
3. Using the self-tapping screw provided, mount the wall plate to the module. Refer to Figure 1.
4. Using the two machine screws provided, mount the wall plate (with the module attached) to one of the compatible electrical boxes listed in “Specifications” on page 2.

Figure 1: Mounting the SIGA-CT1 module



- (1) Compatible electrical box
- (2) SIGA-CT1 module
- (3) Wall plate, white (single-gang)
- (4) #6-32 x 5/8 in. (16 mm) screw
- (5) #4 x 1/2 in. (13 mm) screw

## Wiring

Wire in accordance with applicable requirements of the latest editions of the local codes and standards and the local authority having jurisdiction.

**Note:** When stripping wire ends, exposing more wire may cause a ground fault; exposing less wire may result in a faulty connection.

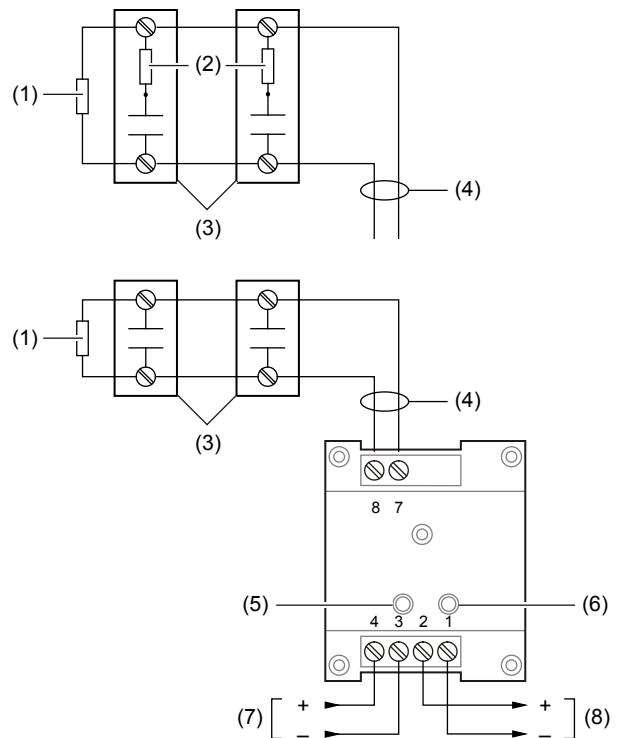
### To wire the module:

1. Verify that all field wiring is free of opens, shorts, and ground faults.
2. Strip 1/4 in. (about 6 mm) from the ends of all wires that connect to the terminal block of the module.
3. Make all wiring connections as shown in Figure 2.

### Notes

- Refer to the Signature loop controller installation sheet for SLC wiring specifications for additional details.
- All wiring is power-limited and supervised.
- A test resistor is supplied with the SIGA-CT1 to prevent trouble signals on unused circuits during installation. When connecting field wires, remove the test resistors and install a UL/ULC Listed 47 KΩ EOLR at the end of the circuit.

Figure 2: Wiring diagram






- (1) EOL resistor (PN EOL-47)
- (2) 22 kΩ resistor for use with personality code 18
- (3) Typical NO initiating device
- (4) Max. 10 VDC @ 350 μA
- (5) Red LED (alarm/active)
- (6) Green LED (normal)
- (7) Signaling line circuit (from previous device)
- (8) Signaling line circuit (to next device)

## Specifications

Operating voltage	15.20 to 19.95 VDC
Current	
Standby	300 μA
Activated	450 μA
Ground fault impedance	10 kΩ
Initiating device circuit (IDC)	
EOL resistor value	47 kΩ, UL/ULC Listed
Circuit resistance	50 Ω (25 Ω per wire), max.
Circuit capacitance	0.1 μF max.
Circuit designation	
Signaling line circuit	Class A, Style 6 or Class B, Style 4
Notification line circuit	Class B, Style B
Wire sizes	12 to 18 AWG wire (0.75 to 2.5 mm <sup>2</sup> )
Compatible electrical boxes	2-1/2 in. (64 mm) deep single-gang box; 4-in. square box 1-1/2 in (38 mm) deep with single-gang cover
LPCB/CPD electrical box Requirements	Plastic box with cover plate, no gaps or unused holes
Minimum (W × H × D)	2.4 × 3.5 × 1.5 in. (60 × 85 × 38 mm)
Operating environment	
Temperature	32 to 120°F (0 to 49°C)
Relative humidity	0 to 93%, noncondensing
Storage temperature range	-4 to 140°F (-20 to 60°C)

## Regulatory information

Manufacturer	Edwards, A Division of UTC Fire & Security Americas Corporation, Inc. 8985 Town Center Parkway, Bradenton, FL 34202, USA  Authorized EU manufacturing representative: UTC Fire & Security B.V. Kelvinstraat 7, 6003 DH Weert, Netherlands
Year of manufacture	The first two digits of the DATE MFG number (located on the product identification label) are the year of manufacture.
North American standards	CAN/ULC-S527, UL 864, UL 1638, CE; FCC Part 15, Subpart J, Class B; DOCClass/MDC class B
FCC compliance	This device complies with part 15 of the FCC Rules. Operation is subject to the following two conditions: (1) This device may not cause harmful interference, and (2) this device must accept any interference received, including interference that may cause undesired operation.
EU compliance	
LPCB	EN 54-18: 2005 Input/output devices
CPD certificates	0832-CPD-1019
LPCB reference	262y/08
 	2002/96/EC (WEEE directive): Products marked with this symbol cannot be disposed of as unsorted municipal waste in the European Union. For proper recycling, return this product to your local supplier upon the purchase of equivalent new equipment, or dispose of it at designated collection points. For more information see: <a href="http://www.recyclethis.info">www.recyclethis.info</a> .

## Contact information

For contact information, see [www.est-fire.com](http://www.est-fire.com).

