

## Encapsulation (Type 'mde') Pilot lights



The 'PL' LED pilot light has an estimated life of 100.000 hours and is available in Red, Green, Amber, White and Blue 240VAC, 110VAC and 24VAC/DC with either M25, 3/4" NPSM or 3/4" GAS thread forms.

The pilot light is Certified for use in EExd and EExe enclosures and has an Ingress Protection rating of IP66.

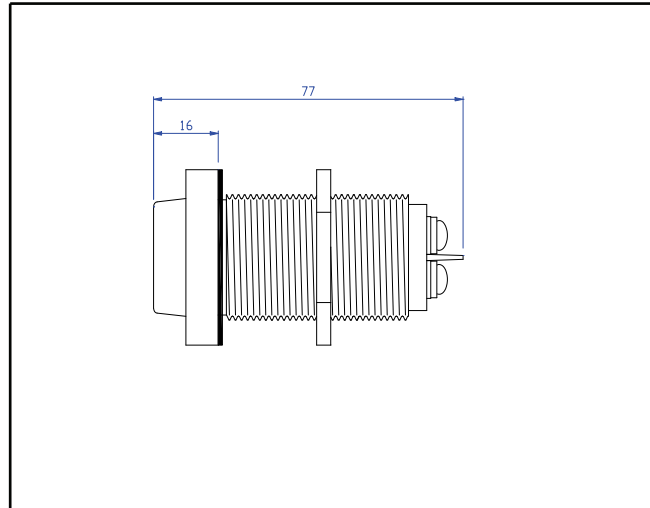
### Materials and Finish

EMP	Body & locknut	Stainless steel 316S16
	Lens	Makrolon
	Terminations	Tinned brass and zinc plated steel
	'O' Ring	Nitrile

### Approvals

Category	II 2 G
Code	EExmde IIC
Certificate No.	ISSeP00ATEX019U

## Dimensions



### Ordering Information

VOLTAGE	THREAD	AMBER	GREEN	RED	WHITE	BLUE
230VAC	M25	201A02108	210A02109	201A02110	201A02111	201A02744
110VAC	M25	201A02112	210A02113	201A02114	201A02115	201A02745
24VAC/DC	M25	201A02116	210A02117	201A02118	201A02119	201A02746
230VAC	3/4" NPSM	201A02120	210A02121	201A02122	201A02123	N/A
110VAC	3/4" NPSM	201A02124	210A02125	201A02126	201A02127	N/A
24VAC/DC	3/4" NPSM	201A02128	210A02129	201A02130	201A02131	N/A
230VAC	3/4" GAS	201A02132	201A02133	201A02134	201A02135	N/A
110VAC	3/4" GAS	201A02136	201A02137	201A02138	201A02139	N/A
24VAC/DC	3/4" GAS	201A02140	201A02141	201A02142	201A02143	N/A

Ordering example: 230VAC Green M25 thread = 210A02109



**JCE (Europe) Ltd.**, East Way, Lee Mill Industrial Estate, Ivybridge, Devon,  
PL21 9LL, England. Tel: +44 (0) 1752 690530 Fax +44 (0) 1752 690531  
E-Mail: [info.euro@jcegroup.com](mailto:info.euro@jcegroup.com)

**JCE (Aberdeen) Ltd.**, Blackburn Business Park, Aberdeen, AB21 0PS  
Tel: +44 (0) 1224 798600 Fax: +44 (0) 1224 798601  
E-Mail: [info.abdn@jcegroup.com](mailto:info.abdn@jcegroup.com)

**JCE (Asia Pacific Pte Ltd.)**, 51 Bukit Batok Crescent, 05-04 Unity Centre,  
Singapore 658077. Tel: +65 6316 2604 Fax: +65 6316 2609  
E-Mail: [info.asia@jcegroup.com](mailto:info.asia@jcegroup.com)

- Specify cable entry and thread form on ordering.
- Details of certification and conformity can be provided on request.
- All products sold subject to our terms and conditions of business.
- Health and Safety at Work Act 1974. In the UK all equipment must be installed and disposed of (as required) within the legislative requirements of the Health & Safety at Work Act 1974.