

# Sample Gas Filter AGF - PV - 30



Sample gas streams must be conditioned to provide particulate and moisture-free gas to the analyzer.

The AGF-PV-30 with the Bühler Unique QC bracket provides fine filtration and easy replacement of the filter media without the use of tools. This means the filter media can be changed in a matter of seconds.

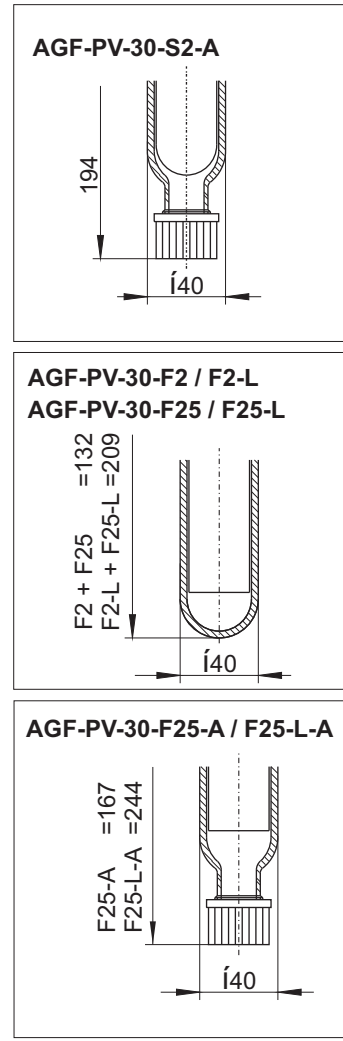
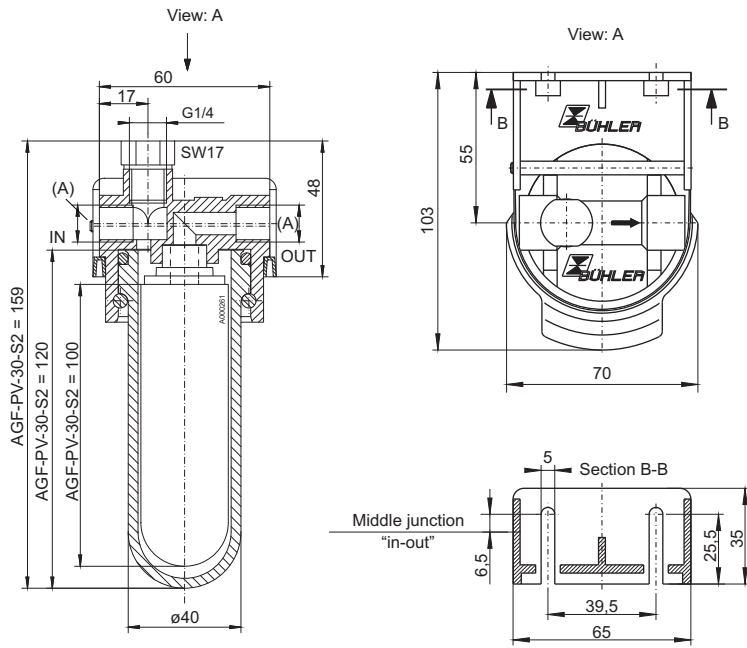
The QC bracket rotates 180° making the mounting of the bracket of the filter independent from the flow direction chosen. This versatile mounting feature makes installation problem-free.

The filter head features an auxiliary port that can be used either for a bypass or for installation of a moisture detector.

A variety of filter media is available to meet any specific application requirement.

- **Bühler Unique - QC bracket**
- **Easy change of filter element without use of tools**
- **Low dead volume for fast response**
- **Versatile mounting bracket**
- **Condensate drain option**
- **Filter-head with additional port for bypass or moisture detector**

# Dimensions



## Technical Data

|             |       |                  |  |
|-------------|-------|------------------|--|
| Filter head | PVDF  | Temperature max. | 100 °C                                     |
| Filter bowl | Glas  | Pressure max.    | 4 bar                                      |
| Seal        | Viton | Threads (A)      | G1/4 or NPT 1/4<br>(see order information) |

## Application in explosive atmosphere (additional indications):

The equipment corresponds to the essential requirements of the European Directive 94/9/EC. Therefore it can be used in explosive atmosphere (**Zone 1; Group IIB**). Depending on the filter element used, non-flammable gases and flammable gases (only temporary explosive in normal operation, **Zone 1; Group IIB or IIC**) can be introduced through these gas filters.


**Note indications of risk in the installation and operation instruction of the filter!**

## Please indicate with order\*

| AGF-PV-            | 30-S2      | 30-S2-A    | 30-F2       | 30-F2-A    | 30-F2-L    | 30-F25     | 30-F25-A   | 30-F25-L   | 30-F25-L-A   | 30-AKF     |
|--------------------|------------|------------|-------------|------------|------------|------------|------------|------------|--------------|------------|
| AGF-PV-I           | 30-S2-I    | 30-S2-A-I  | 30-F2-I     | 30-F2-A-I  | 30-F2-L-I  | 30-F25-I   | 30-F25-A-I | 30-F25-L-I | 30-F25-L-A-I | 30-AKF-I   |
| Pore size          | 2 µm       | 2 µm       | 2 µm        | 2 µm       | 2 µm       | 25 µm      | 25 µm      | 25 µm      | 25 µm        | 1 µm       |
| Part no. (G1/4)    | 41 50 099  | 41 50 199  | 41 50 2999  | 41 51 999  | 41 50 799  | 41 50 299  | 41 50 399  | 41 50 499  | 41 50 599    | 41 53 099  |
| Part no. (NPT 1/4) | 41 50 099I | 41 50 199I | 41 50 2999I | 41 51 999I | 41 50 799I | 41 50 299I | 41 50 399I | 41 50 499I | 41 50 599I   | 41 53 099I |
| Element            | S2         | S2         | F2          | F2         | F2-L       | F25        | F25        | F25-L      | F25-L        | AKF        |
| Dead volume        | 57 ml      | 69 ml      | 57 ml       | 57 ml      | 108 ml     | 57 ml      | 63 ml      | 108 ml     | 117 ml       | 45 ml      |
| Weight approx.     | 0,28 kg    | 0,29 kg    | 0,24 kg     | 0,29 kg    | 0,29 kg    | 0,23 kg    | 0,24 kg    | 0,29 kg    | 0,30 kg      | 0,23 kg    |

\* delivery includes one filterelement

## Spare filter elements AGF-PV-30

| Type  | Filter elements | Material         | Pore size | Surface area        | Part no.    | Package |  Range of use |
|-------|-----------------|------------------|-----------|---------------------|-------------|---------|--|
| S2    | husk            | glass fibre      | 2 µm      | 80 cm <sup>2</sup>  | 41 01 00 10 | 5 pcs.  | Group IIC  |
| S2    | husk            | glass fibre      | 2 µm      | 80 cm <sup>2</sup>  | 41 01 00 2  | 25 pcs. | Group IIC  |
| F2    | PTFE sintered   | PTFE             | 2 µm      | 60 cm <sup>2</sup>  | 41 03 00 50 | 5 pcs.  | Group IIB  |
| F2-L  | PTFE sintered   | PTFE             | 2 µm      | 125 cm <sup>2</sup> | 41 02 00 50 | 2 pcs.  | Group IIB  |
| F25   | PTFE sintered   | PTFE             | 25 µm     | 60 cm <sup>2</sup>  | 41 02 01 30 | 5 pcs.  | Group IIB  |
| F25-L | PTFE sintered   | PTFE             | 25 µm     | 125 cm <sup>2</sup> | 41 01 01 20 | 2 pcs.  | Group IIB  |
| AKF   | threaded        | activated carbon | 1 µm      | 45 cm <sup>2</sup>  | 41 010 130  | 1       | Group IIC  |