

DO NOT SCALE PRINT

DIMENSIONS AND TOLERANCES IN ACCORDANCE WITH ASME Y14.5M-1994

WAS NO.

DRAWING NO.

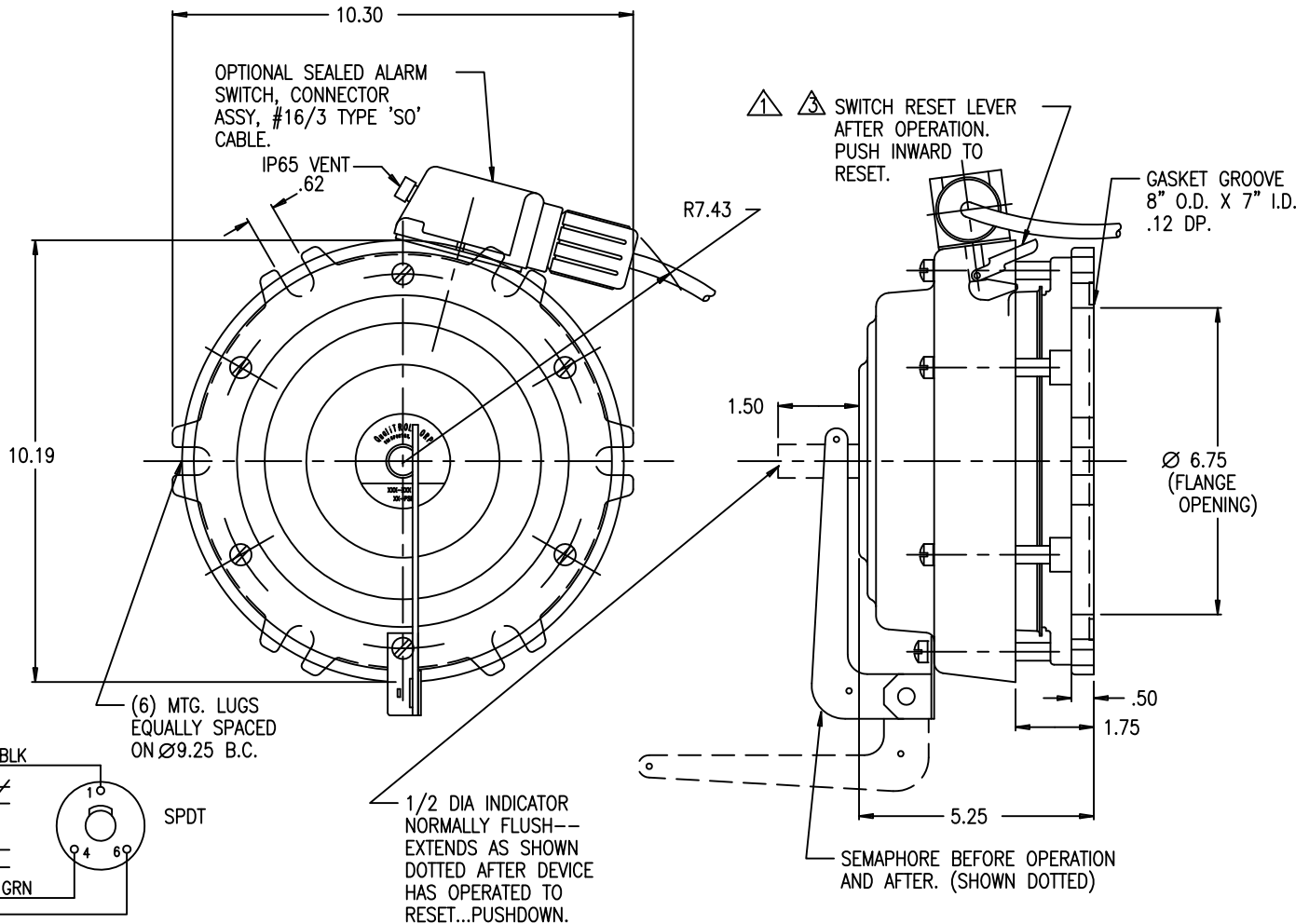
208-001

NOTES:

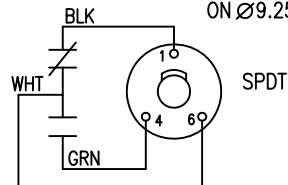
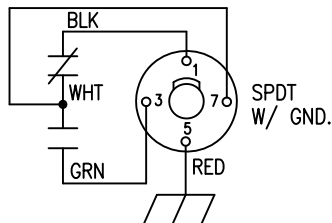
- 1. BLACK AND WHITE ARE NORMALLY CLOSED WHEN ALARM SWITCH IS MOUNTED AND ARMED AS SHOWN.
- 2. WHEN DEVICE OPERATES: BLACK AND WHITE ARE OPEN GREEN AND WHITE ARE CLOSED
- 3. WHEN THE SWITCH RESET LEVER IS MAN. DEPRESSED: BLACK AND WHITE ARE CLOSED GREEN AND WHITE ARE OPEN
- 4. FINISH: ASA #70 LT GRAY EPOXY

SWITCH RATINGS:

ENEC/CQC: 11(3) A, 125/250 VAC
 UL/cUL: 11(3) A, 125/250 VAC
 UL FILE#: E12252



ALARM SWITCH WIRING DIAGRAM



NOTICE

THIS DRAWING IS THE PROPERTY OF QUALITROL COMPANY LLC AND IS LOANED ONLY ON THE CONDITION THAT IT WILL BE USED TO FACILITATE THE PURPOSE FOR WHICH IT WAS INTENDED AND NOT BE REPRODUCED, COPIED OR OTHERWISE DISPOSED OF, AND IS NOT TO BE USED IN WHOLE OR PART FOR FURNISHING INFORMATION RELATIVE TO THE MAKING OF DRAWINGS, PARTS, APPARATUS OR PARTS THEREOF, EXCEPT BY WRITTEN ORDER FROM QUALITROL COMPANY LLC.

-	7-9-13	ADDED IP65 VENT TO ALARM SWITCH	31508
-	05-24-12	UPDATED SWT RATINGS	30164
-	06-10-98	DELETED PPS-65 NOTE; 1.50 WAS 1.81	19508
AP	08-06-91	PT.-40 CABLE WAS 48" LG	
AN	03-28-91	WAS TYPE S.O. CABLE	14719
AM	12-20-90	REDRAWN WITH CHANGE	14705
LET	DATE	ALTERATION	C.N.

TITLE:

PRESSURE RELIEF DEVICE

MATERIAL:

FINISH:

SEE NOTE 4

SCALE

1:4

SHEET

1 OF 3

DRAWING NO.

208-001

TOLERANCE UNLESS NOTED, [MM] IS FOR REF.:
 2 PLC. DECIMAL ± .02 [.5]
 3 PLC. DECIMAL ± .005 [.13]
 ANGULAR ± 2 DEG.

FORM 0-465 REV. E 04/06/06

QUALITROL
 FAIRPORT, NEW YORK

DRAWN	MFS	DATE	12-18-90
CHECK			
APP'D	M. MEETSEL		08-08-91