

# Component parts

Demag DH 325 hoist unit

# Contents

	Page
Main hoist motor KBH 125 B4	4 – 5
Main/creep hoist motor KBH 140 B2/12-F6	6 – 7
3-stage planetary gear	8 – 9
Frame, rope drum, rope guide, rope	10 – 11
4/1 reeving	
Rope retaining crosshead and compensating sheave 225/11	12 – 13
Bottom block 225/11, 4/1	14
Electrical equipment	16 – 17
Carriage size 6, 4/1, UDH	18 – 20
Carriage size 6, 4/1, KDH	22 – 25
FG 08 microspeed unit	26 – 27
KBA 80 B4 creep hoist motor	28 – 29

# = Alterations compared to previous issue

Example

# 15

342 552 99

4

RETAINING RING 55 X 2

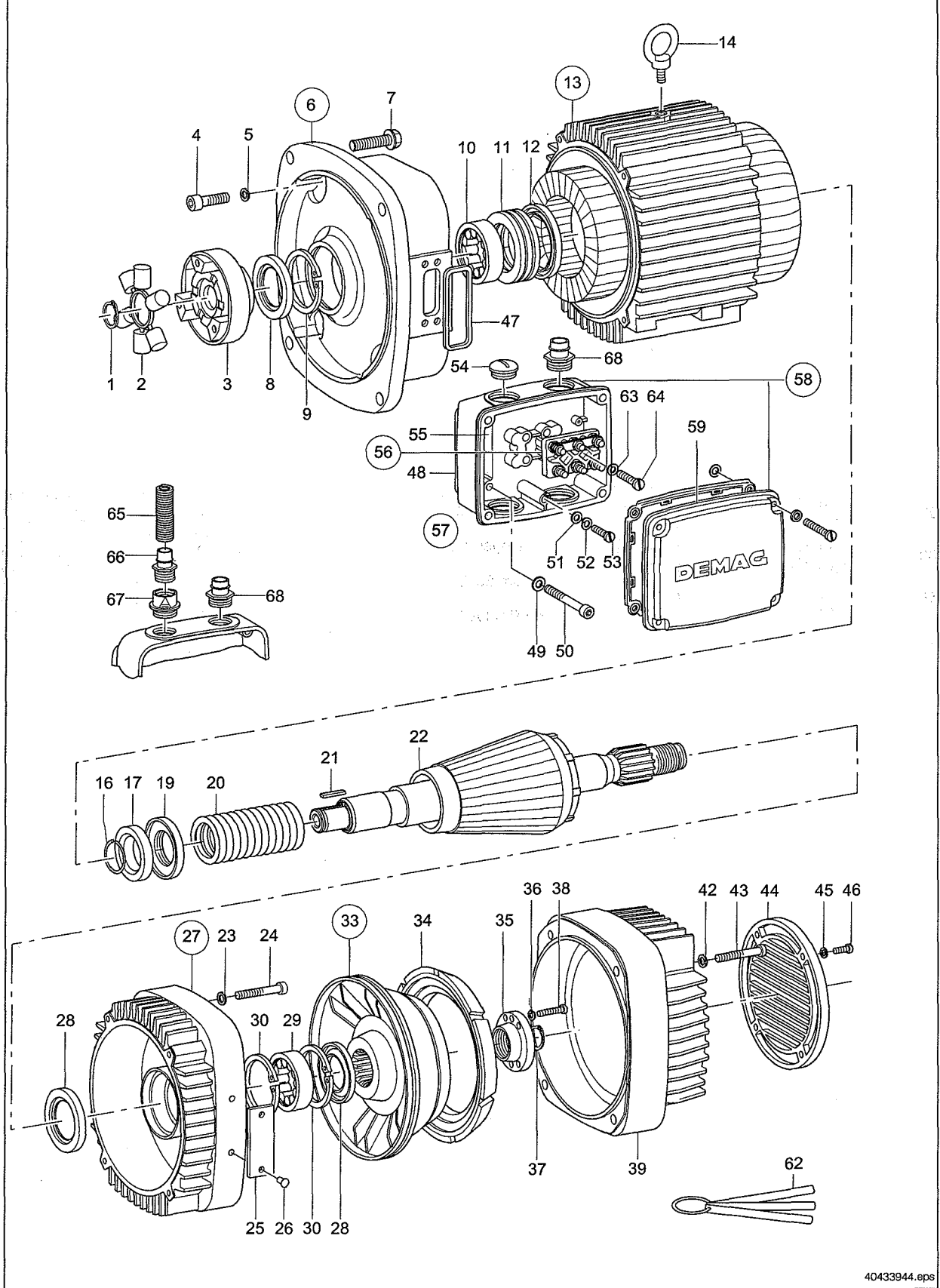
FEDST

DIN 471

# Main hoist motor KBH 125 B4

Part no.  
075 128 84

Motor KBH 125 B4, 230/400 V, c/w items 1, 4 – 6, 13, 16, 17, 19 – 27, 33, 35 – 57, 59



# Main hoist motor KBH 125 B4

Item No	Part Number	Quantit	Designation	Material	Norm
1	342 532 99	1	RETAINING RING 32 X 1,5	FEDST	DIN 471
2	718 321 44	1	ROLLER SPIDER F.COUPL.		
3	718 306 44	1	COUPLING HALF H 2N-32		
4	319 243 99	4	HEX. SOCKET SCREW M8X30	10.9	DIN 912
5	004 656 98	4	LOCK WASHER S8	FEDST A2F	N01081399
6	079 639 84	1	END CAP, CPL. DH 300		
7	300 235 44	4	LOCKING SCREW M10X50	C/W ITEMS 8-12	
8	004 633 98	1	OIL SEAL 42X72X7	100	N01189199
9	342 661 99	1	RETAINING RING 72 X 2,5	PERBUNAN	N01116199
10	361 344 99	1	CYL.ROLLER BRG FNU 306	FEDST	DIN 472
11	364 012 99	1	AX.GROOVED BALLBRG 5112	WLZ-ST	DIN 5412
12	079 801 84	1	SEALING RING 72X85,5X5	WLZ-ST	DIN 711
13	076 166 84	1	STATOR 230/400V50AB	NB	N01186099
14	313 501 99	1	EYE BOLT M10	C/W ITEM 14 1)	
16	004 683 98	1	SPRING RING 41,9X1,3	C 15	DIN 580
17	079 808 84	1	THRUST RING SET	FEDST	N01117399
18	079 825 84	1	THRUST RING	C/W ITEM 18	
18	079 806 84	1	THRUST RING 10.2	1)	
18	079 807 84	1	THRUST RING 10.6	1)	
18	079 809 84	1	THRUST RING 11.0	1)	
18	079 811 84	1	THRUST RING 11.4	1)	
18	079 812 84	1	THRUST RING 11.8	1)	
18	079 813 84	1	THRUST RING 12.2	1)	
19	079 822 84	1	DISHED WASHER PACK		
20	079 776 84	1	BRAKE SPRING 6,5X49X119		
21	354 471 99	1	KEY B10 X 8 X 32	C 45 K	DIN 6885
22	079 317 84	1	ROTOR FOR REDUCT. GEARS		
23	004 656 98	4	LOCK WASHER S8	FEDST A2F	N01081399
24	319 247 99	4	HEX. SOCKET SCREW M8X60	10.9	DIN 912
25	069 889 84	1	DATA PLATE KBH BLANK		
26	350 413 99	2	GROOVED PIN A2.6X 6	ST A2F	ISO 8747
27	079 606 84	1	BRAKE END STATOR CAP	C/W ITEMS 28-30	
28	004 633 98	2	OIL SEAL 42X72X7		
29	361 344 99	1	CYL.ROLLER BRG FNU 306	(F = 42 mm)	
30	342 661 99	2	RETAINING RING 72 X 2,5	PERBUNAN	N01116199
33	079 791 84	1	CONIC.BRAKE DISC, LIGHT	WLZ-ST	DIN 5412
34	079 786 84	1	CON.BR.RING 532 ASBFREE	FEDST	DIN 472
35	079 714 84	1	ADJUSTING NUT	C/W ITEM 34	
36	004 656 98	4	LOCK WASHER S8	FEDST A2F	N01081399
37	342 530 99	1	RETAINING RING 30 X 1,5	FEDST	DIN 471
38	319 242 99	4	HEX SOCKET SCREW M 8X25	10.9	DIN 912
39	079 701 84	1	BRAKE CAP, MACHINED		
39	079 703 84	1	BRAKE CAP, GALVANIZED	2)	
42	004 656 98	4	LOCK WASHER S8	FEDST A2F	N01081399
43	319 247 99	4	HEX. SOCKET SCREW M8X60	10.9	DIN 912
44	079 719 84	1	LOUVER		
45	004 656 98	4	LOCK WASHER S6	FEDST A2F	N01081399
46	329 058 99	4	CH. HEAD SCREW M 6 X 12	4.8 A2F	DIN 84
47	074 815 84	1	SEAL		
48	069 801 84	1	TERM.BOX BASE, MACHINED		
49	004 656 98	4	LOCK WASHER S6	FEDST A2F	N01081399
50	318 189 99	4	CHEESE HEAD SCREW M6X30	4.8 A2F	DIN 84
51	340 653 99	1	WASHER 6.4X12X1.6	140HV A2F	DIN 125
52	343 853 99	1	LOCK WASHER 6	FEDST	DIN 7980
53	329 058 99	1	CH. HEAD SCREW M 6 X 12	4.8 A2F	DIN 84
54	007 239 98	3	THREADED PLUG PG21 D	BAKELIT	N01181399
55	069 909 84	1	CABLE BUSHING		
56	069 922 84	1	TERMINAL PLATE CPL	C/W ITEMS 63, 64	
57	069 807 84	1	O RING 145 X 2.5 MM 457		
59	069 964 84	1	TERMINAL BOX COVER, CPL		
62	100 153 84	3	FEELER GAUGE	0,35; 0,40; 0,45; 0,50; 0,55; 0,60mm 3)	
63	004 654 98	2	LOCK WASHER S5	FEDST A2F	N01081399
64	325 292 99	2	SELF-TAP. SCREW BM5X16	C 15 A2F	DIN 7513
65	895 061 44	1	HOSE CORRUG. FFMYDN W17	400017 SW	FR.ROHRW
66	360 538 46	1	PIPE SOCKET PG21 CREEP		
67	504 529 44	1	ADAPTOR UNION PG21-16 K		
68	360 537 46	1	PIPE SOCKET PG21/DH 300		

22258001.tb

1) When ordering a rotor or stator, a set of thrust rings (item 17) must also be ordered for adjusting the air gap in the stator bore to 0,35 mm using feeler gauge set (item 62)

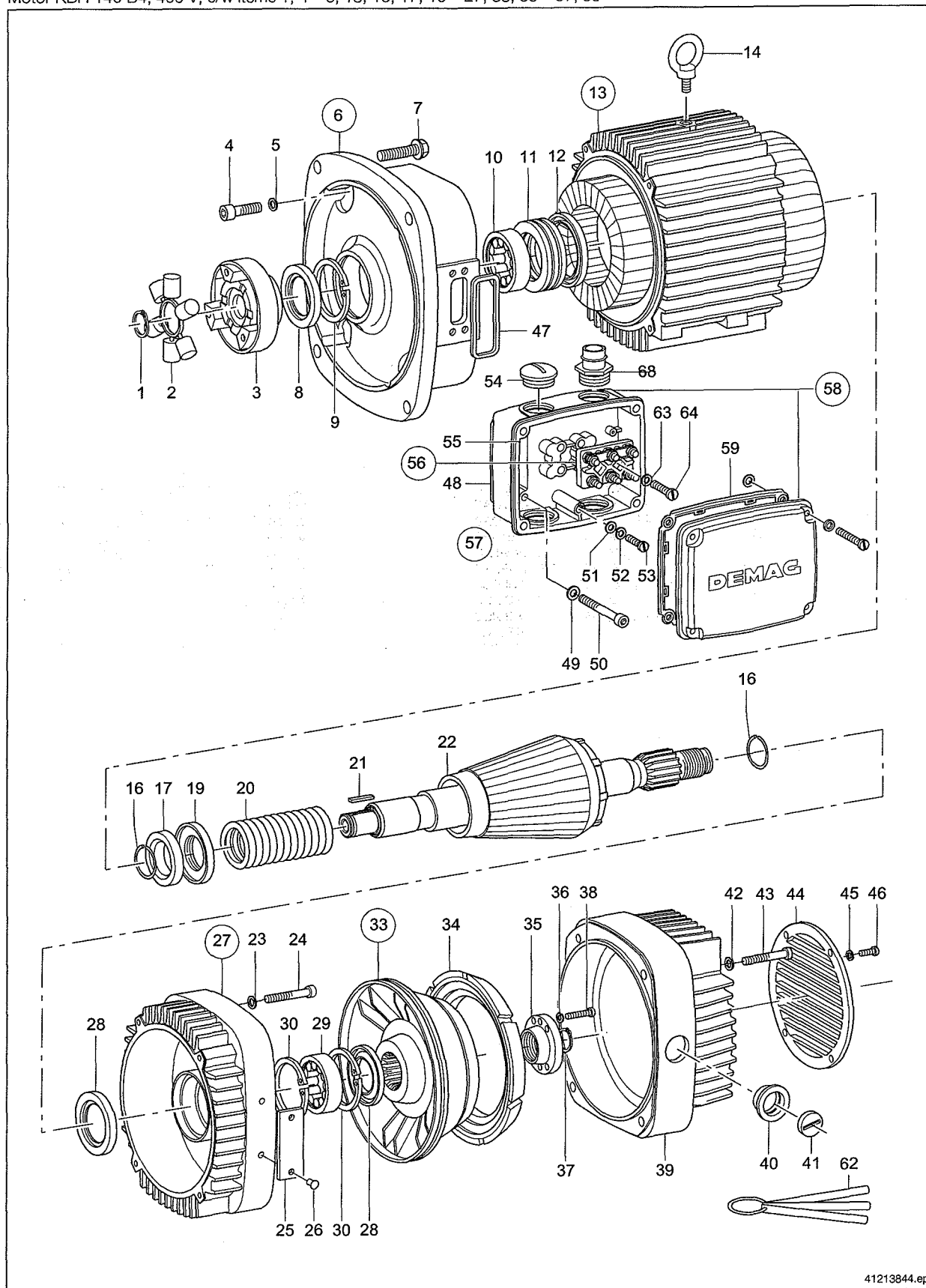
2) For service in arduous conditions

3) Required air gap between stator bore and rotor 0,35 mm

# Main/creep hoist motor KBH 140 B2/12-F6

Motor KBH 140 B4, 400 V, c/w items 1, 4 - 6, 13, 16, 17, 19 - 27, 33, 35 - 57, 59

Part no.  
080 080 84



# Main/creep hoist motor KBH 140 B2/12-F6

Item no.	Part number	Quantity	Designation	Material	Norm
1	342 532 99	1	RETAINING RING 32 X 1.5	FEDST	DIN 471
2	718 321 44	1	ROLLER SPIDER F.COUPLE.		
3	718 306 44	1	COUPLING HALF H 2N-32		
4	319 258 99	4	HEX.SOCK. SCREW M10X 35	10.9	DIN 912
5	005 059 98	4	LOCK WASHER S10	FEDST A2F	N01081399
6	084 639 84	1	END CAP, CPL. DH 300		
7	300 235 44	4	LOCKING SCREW M10X50	C/W ITEMS 8 - 12	
8	004 634 98	1	OIL SEAL 46,2X80X7	100	N01189199
9	342 665 99	1	RETAINING RING 80X2.5	PERBUNAN	N01116199
10	365 457 99	1	CYL.ROLL.BRG. RNU307ECP	FEDST	DIN 472
11	364 013 99	1	BALL THRUSTBRG 51113	WLZ-ST	DIN 5412
12	084 801 84	1	SEALING RING 76X90,5X6	WLZ-ST	DIN 711
13	081 150 84	1	STATOR 400V 50 AB	NB	N01186099
14	313 502 99	1	EYE BOLT M12	C/W ITEM 14 1)	
16	374 146 44	2	RETAINING RING 46.2X1.6	C 15	DIN 580
17	084 808 84	1	SET THRUST RINGS	FEDST	N01117399
18	084 799 84	1	THR. RING 46.2/76X1.3	C/W ITEM 18	
18	084 818 84	1	THR. RING 46.2/76X1.7	1)	
18	084 806 84	1	THR. RING 46.2/76X1.2.1	1)	
18	084 807 84	1	THR. RING 46.2/76X1.2.5	1)	
18	084 809 84	1	THR. RING 46.2/76X1.2.9	1)	
18	084 814 84	1	THR. RING 46.2/76X1.3.3	1)	
18	084 815 84	1	THR. RING 46.2/76X1.3.7	1)	
18	084 819 84	1	THR. RING 46.2/76X1.4.1	1)	
19	084 822 84	1	DISHED WASHER PACK		
20	084 777 84	1	BRAKE SPRING 6X54X116		
21	354 471 99	1	KEY B10 X 8 X 32	C 45 K	DIN 6885
22	084 345 84	1	ROTOR FOR REDUCT. GEARS	1)	
23	005 059 98	4	LOCK WASHER S10	FEDST A2F	N01081399
24	319 262 99	4	HEX. SOCKET BOLT M10X70	10.9	DIN 912
25	069 889 84	1	DATA PLATE KBH BLANK		
26	350 413 99	2	GROOVED PIN A2.6X 6	ST A2F	ISO 8747
27	084 606 84	1	BRAKE END CAP, CPL.	C/W ITEMS 28-30.	
28	004 634 98	2	OIL SEAL 46,2X80X7	PERBUNAN	N01116199
29	365 457 99	1	CYL.ROLL.BRG. RNU307ECP	WLZ-ST	DIN 5412
30	342 665 99	1	RETAINING RING 80X2.5	FEDST	DIN 472
33	084 791 84	1	CON.BRK.DISC LIGHT532	C/W ITEM 34	
34	084 786 84	1	CON.BR.RING 532 ASBFREE		
35	084 714 84	1	ADJUSTING NUT		
36	004 656 98	4	LOCK WASHER S8	FEDST A2F	N01081399
37	342 635 99	1	RETAINING RING 35X1.5	FEDST	DIN 471
38	319 243 99	4	HEX. SOCKET SCREW M8X30	10.9	DIN 912
39	084 701 84	1	BRAKE CAP, MACHINED		
39	084 703 84	1	BRAKE CAP, GALVANIZED	2)	
40	601 049 44	1	RUBBER GROMMET		
41	601 050 44	1	INSPECTION WINDOW		
42	005 059 98	4	LOCK WASHER S10	FEDST A2F	N01081399
43	319 262 99	4	HEX. SOCKET BOLT M10X70	10.9	DIN 912
44	084 722 84	1	LOUVER, MACHINED		
45	004 656 98	4	LOCK WASHER S8	FEDST A2F	N01081399
46	318 191 99	4	CHEESEHD SCREW M 8X16	4.8 A2F	DIN 84
47	074 815 84	1	SEAL		
48	084 975 84	1	TERM.BOX BASE, MACHINED		
49	004 655 98	4	LOCK WASHER S6	FEDST A2F	N01081399
50	318 189 99	4	CHEESE HEAD SCREW M6X30	4.8 A2F	DIN 84
51	340 653 99	1	WASHER 6.4X12X1.6	140HV A2F	DIN 125
52	343 853 99	1	LOCK WASHER 6	FEDST	DIN 7980
53	329 058 99	1	CH. HEAD SCREW M 6 X 12	4.8 A2F	DIN 84
54	007 239 98	3	THREADED PLUG PG21 D	BAKELIT	N01181399
55	069 909 84	1	CABLE BUSHING		
56	069 922 84	1	TERMINAL PLATE CPL	C/W ITEMS 63, 64	
59	084 974 84	1	TERMINAL BOX COVER, CPL		
62	100 153 84	3	FEELER GAUGE	0,35; 0,40; 0,45; 0,50; 0,55; 0,60mm 3)	
63	004 654 98	2	LOCK WASHER S5	FEDST A2F	N01081399
64	325 292 99	2	SELF-TAP. SCREW BM5X16	C 15 A2F	DIN 7513
68	360 537 46	1	PIPE SOCKET PG21/DH 300		

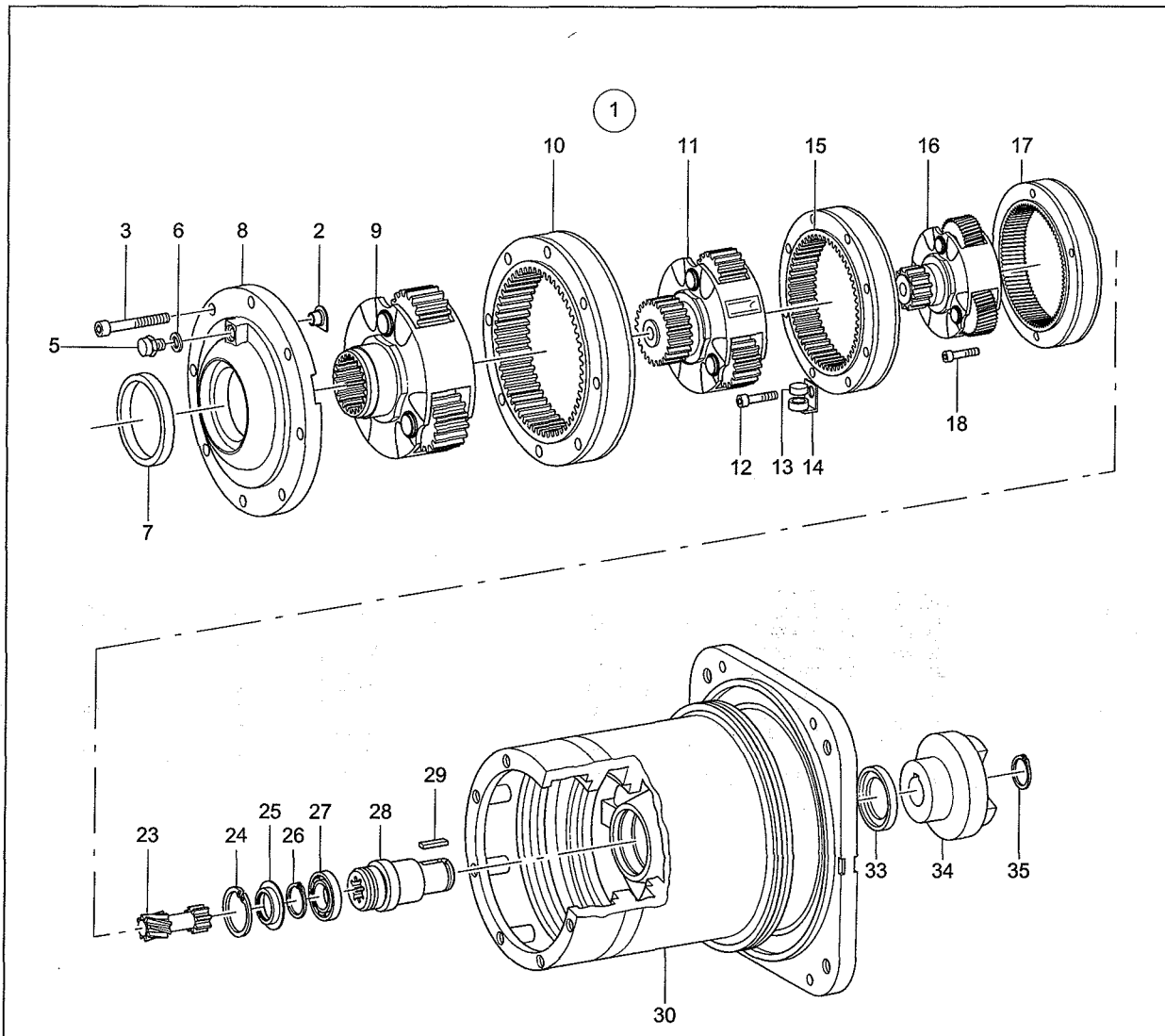
22258002.tbl

1) When ordering a rotor or stator, a set of thrust rings (item 17) must also be ordered for adjusting the air gap in the stator bore to 0,40 mm using feeler gauge (item 62)

2) For service in arduous conditions

3) Required air gap between stator bore and rotor 0,40 mm

# 3-stage planetary gear



Seal surfaces between gearbox cover (8), internally toothed wheel rim (10) and gearbox housing (30) with Loctite 573.

Part no. 033 068 44

### Gear oil

Quantity	Part no.
1,35 litre	472 930 44
	2,5 litres

22258030.tbl

### 3-stage planetary gear

Size Code (hoist speed)	DH	325 V2	325 V2
Main/creep hoist speed	m/min	4/0,6	-
Main hoist speed	m/min	-	4
Motor	KBH i	140 B2/12 132,7	125 B 4 65,7

Item no.	Quantity	Designation		
1	1	Gearbox c/w items. 2 - 18, 23 - 35	822 187 44	822 186 44
<b>Output stage</b>				
9	1	Planet wheel	814 016 46	814 016 46
<b>Intermediate stage</b>				
11	1	Planet wheel	814 015 46	814 015 46
<b>Input stage</b>				
16	1	Planet wheel	814 013 46	814 014 46
23	1	Sun pinion	820 021 44	820 022 44

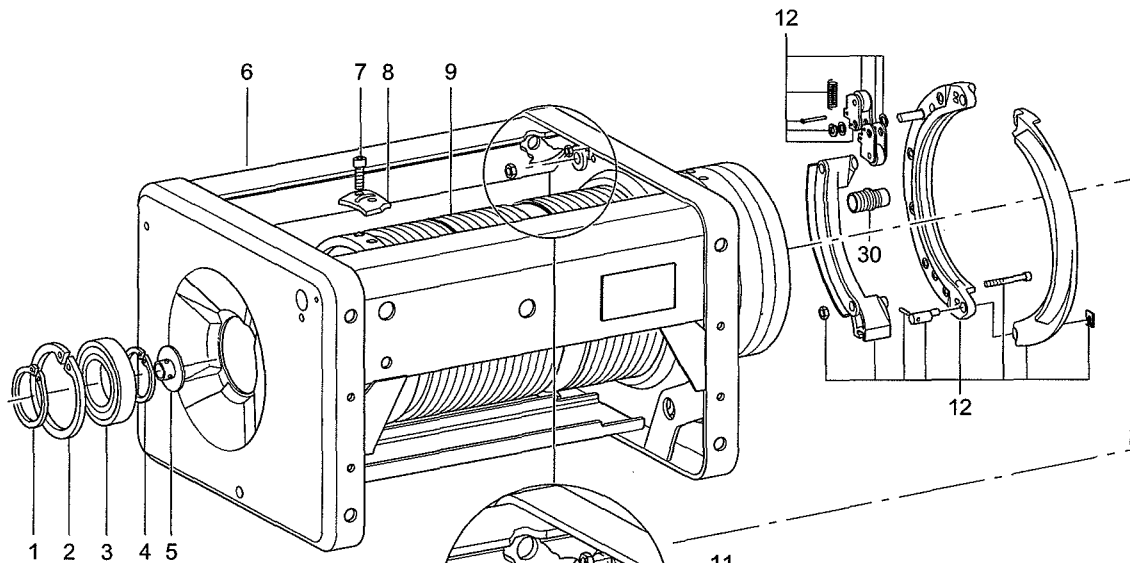
22258037.tbl

Item no.	Part number	Quantity	Designation	Material	Norm
2	823 148 44	1	PLUG DH GEARBOX		
3	319 346 99	8	HEXSOCK SCREW M 8X 55	10.9	DIN 912
5	342 291 44	1	AIR VENT VALVE AM 10X1	0,15 BAR	NO1181599
6	339 874 99	1	SEALING RING A10 X16X1	CU	DIN 7603
7	367 500 99	1	SHAFT SEAL RING65X85X10	FPM	DIN 3760
8	822 124 44	1	GEARBOX COVER DH 300		
10	820 290 44	1	SPROCKET WHEEL 77M2 B28		
12	319 228 99	6	HEX. SOCKET SCREW M6X25	10.9	DIN 912
13	823 136 44	1	MAGNET DH GEARBOX		
14	822 135 44	1	MAGNET HOLDER DH 300		
15	820 189 44	1	SPROCKET WHEEL 89M1.5 B16		
17	820 040 44	1	SPROCKET WHEEL 86M1.25 B16		
18	319 228 99	4	HEX. SOCKET SCREW M6X25	10.9	DIN 912
24	342 656 99	1	RETAINING RING 62X2	FEDST	DIN 472
25	822 129 44	1	BAFFLE PLATE DH 300		
26	342 535 99	1	RETAINING RING 35X1.5	FEDST	DIN 471
27	360 507 99	1	GROOVED BALL BRG. 6007	WLZ-ST	DIN 625
28	822 140 44	1	DRIVE SHAFT DH 300		
29	354 845 99	1	KEY AB 10 X 8 X 32	C 45 K	DIN 6885
30	822 118 44	1	GEAR CASING DH 300		
31	367 101 99	1	SEALING RING 8 X 2 B	NB 70	DIN 3770
32	313 394 99	1	SCREW PLUG M10 X 1	5.8	DIN 908
33	342 303 44	1	SHAFT SEAL RING 40X55X7	FPM	DIN 3760
34	718 306 44	1	COUPLING HALF H 2N-32		
35	342 532 99	1	RETAINING RING 32 X 1.5	FEDST	DIN 471

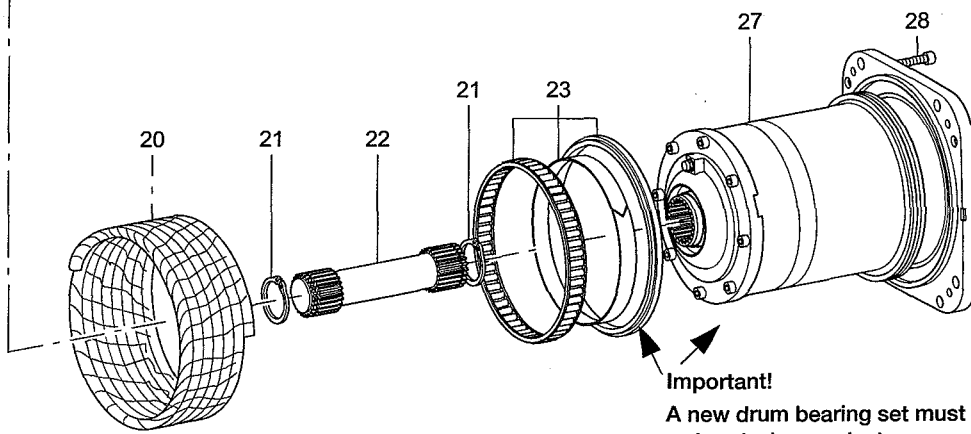
22258003.tbl



# Frame, rope drum, rope guide, rope



Seal surfaces between motor and gearbox flange with Loctite 573. Part no. 033 068 44



**Important!**  
A new drum bearing set must also be ordered when replacing a complete gearbox.

## Lubrication

	Part no.
Drum bearing set (item 23)	472 933 44
Quantity	70 g
22258031.tbl	

# Frame, rope drum, rope guide, rope

Item no.	Part number	Quantity	Designation	Material	Norm
H 12					
4/1					
6	822 228 44	1	FRAME DH 325-H12		
7	319 242 99	6	HEX SOCKET SCREW M 8X25	10.9	DIN 912
8	822 348 44	3	ROPE CLAMP 11		
9	822 302 44	1	SNGL.GRV.ROPE DRUM 300		
12	822 900 44	1	ROPE GUIDE 3/11-L		
12	822 902 44	1	ROPE GUIDE 3/11-L	ACID RESISTANT	
20	822 492 44	29,6	W. ROPE 11 8X25+SES ZS	1)	
22	822 171 44	1	CONNECTING SHAFT DH 300 H12 (LUBRICATE GEAR PARTS WITH STABURAGS NBU 12 K, PART NO.: 472 933 44)		
H 20					
4/1					
6	822 229 44	1	FRAME DH 325-H20		
7	319 242 99	6	HEX SOCKET SCREW M 8X25	10.9	DIN 912
8	822 348 44	3	ROPE CLAMP 11		
9	822 304 44	1	SNGL.GRV.ROPE DRUM 300		
12	822 900 44	1	ROPE GUIDE 3/11-L		
12	822 902 44	1	ROPE GUIDE 3/11-L	ACID RESISTANT	
20	822 492 44	45,9m	W. ROPE 11 8X25+SES ZS	1)	
22	822 172 44	1	CONNECTING SHAFT DH 300 H20 (LUBRICATE GEAR PARTS WITH STABURAGS NBU 12 K, PART NO.: 472 933 44)		

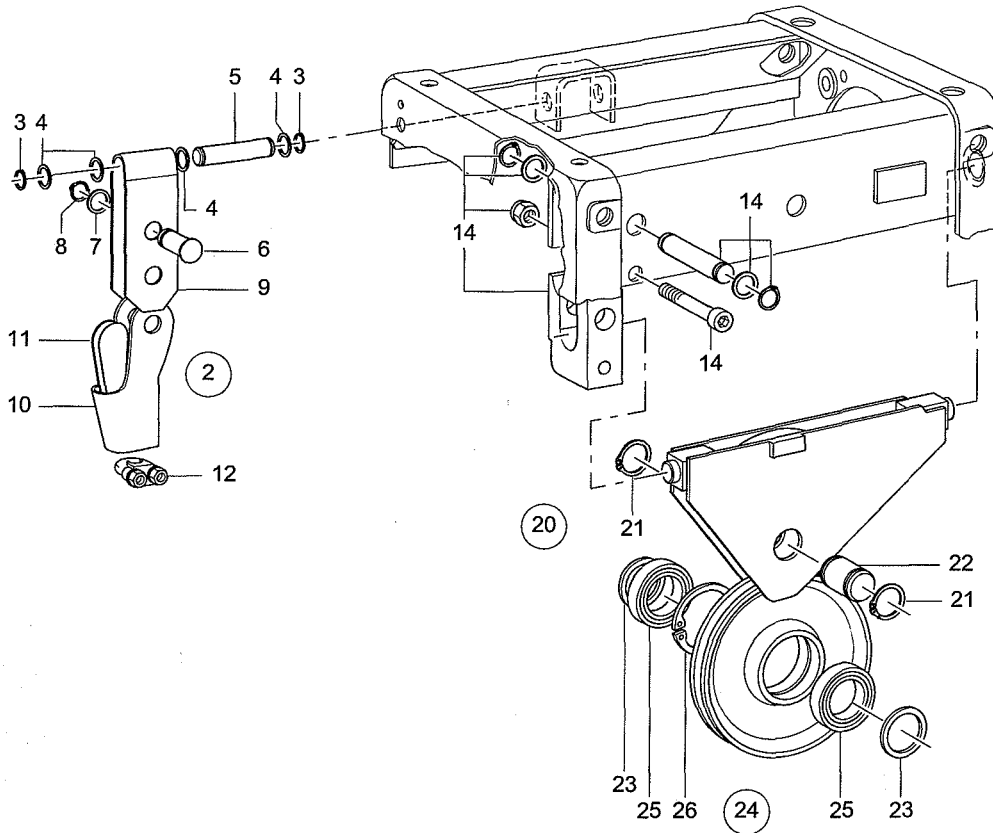
22258004.tbl

Item no.	Part number	Quantity	Designation	Material	Norm
H12      H20					
1	342 557 99	1	RETAINING RING 65 X 2.5	FEDST	DIN 471
2	342 670 99	1	RETAINING RING 100X3	FEDST	DIN 472
3	368 133 99	1	GROOVED BALL BRG. 6013 2Z	W/LZ-ST	DIN- 625
4	342 650 99	1	RETAINING RING 50X2	FEDST	DIN 472
5	875 270 44	1	COUPLING PIN DGS/DH 300		
10	300 283 44	4	LOCK NUT M 10 VB	10	NO1189299
11	300 282 44	4	LOCK NUT M 8 VB	10	NO1189299
21	342 547 99	2	RETAINING RING 47X1.75	FEDST	DIN- 471
23	822 365 44	1	DRUM BRG. SET DH 300	DH 300EXT.	O.ZEICHNG
27		1	GEAERBOX	(WIDTH 30 MM) SEE PAGES 8 - 9	
28	319 242 99	4	HEX SOCKET SCREW M 8X25	10.9	DIN 912
30	360 539 46	1	PIPE SOCKET DH300/500		
31	823 267 44	1	DATA PLATE DH BLANK AL		
32	350 921 99	4	DOWEL PIN 4 X 8	ST A2F	DIN 1476

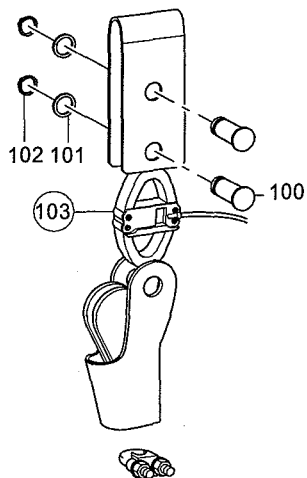
22258005.tbl

1) Supplied per meter, specify length required when ordering

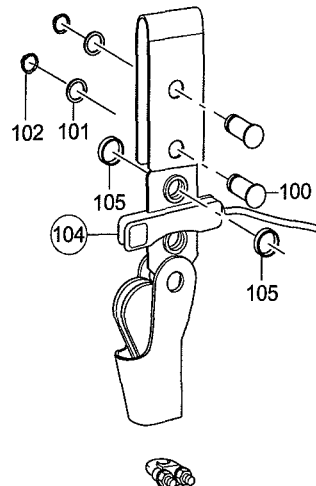
4/1 reeving  
 Rope retaining crosshead  
 and compensating sheave 225/11



41213944.eps



41126444.eps



41135944.eps

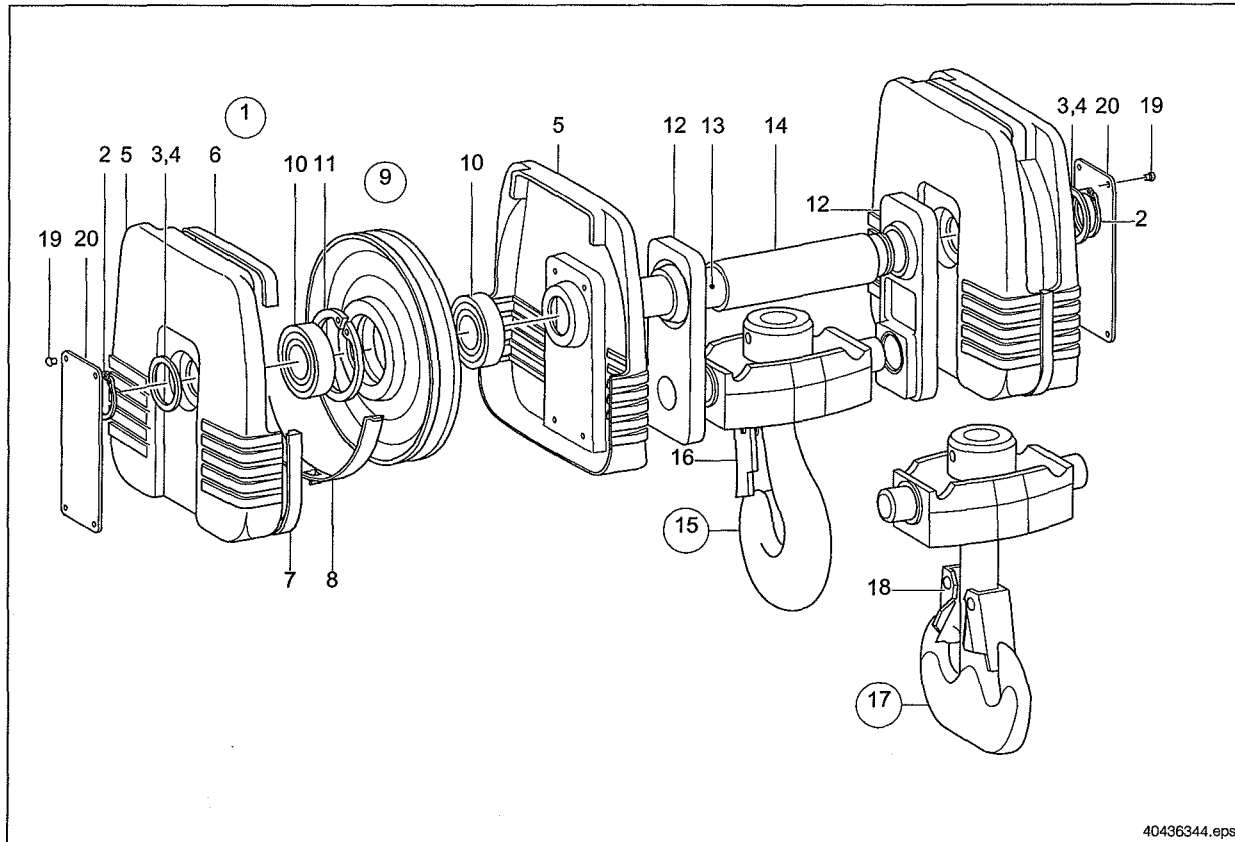
Items 2 and 20 must be ordered together with a tube of Staburags NBU 12 K.  
 Part no. 472 933 44 (see Operating instructions)

# 4/1 reeving Rope retaining crosshead and compensating sheave 225/11

Item no.	Part number	Quantity	Designation	Material	Norm
2	828 104 44	1	ROPE RET.CROSSH. DH 325		
3	342 470 99	2	RETAINING RING 20X1.75		
4	343 501 99	4	SHIM 20 X 28 X 1		
5	828 116 44	1	PIN 20H 9X101 GROOVE		
6	828 213 44	1	SETPIN 25H 9X75 GROOVE		
7	341 424 99	1	SHIM 25 X 35 X 1		
8	342 503 99	1	RETAINING RING 25 X 2		
9	828 111 44	1	ROPE RET.CROSSH. PLATE		
10	593 452 44	1	ROPE SOCKET 9 -14		
11	828 218 44	1	ROPE WEDGE 11-14		
12	600 691 44	1	ROPE CLAMP 10.5-16 M12		
14	828 158 44	1	FITTINGS UPPER BLOCK		
20	828 140 44	1	ROPE RET.CROSSH. 225/11		
21	342 545 99	2	RETAINING RING 45X1.75		
22	828 154 44	1	PIN 45H 9X72 GROOVE		
23	341 446 99	2	SHIM 45 X 55 X 1		
24	829 112 44	1	ROPE SHEAVE 225/11 KG-L		
25	368 229 99	2	GRV. BALL BRG. 6209 2Z		
26	342 666 99	1	RETAINING RING 85X3.0		
100	828 213 44	1	SETPIN 25H 9X75 GROOVE		
101	341 424 99	1	SHIM 25 X 35 X 1		
102	342 503 99	1	RETAINING RING 25 X 2		
103	469 592 44	1	MGS UNIT 2.5 T		
104	469 492 44	1	STRAIN GAUGE LINK W/PIN		
105	342 057 44	2	SPACER RING 27X32X8		
			C/W ITEMS 3 - 10		
				FEDST	DIN 471
				ST2K50	DIN 988
				ST2K50	DIN 988
				FEDST	DIN 471
			C/W ITEMS 21 - 24		
				FEDST	DIN 471
				ST2K50	DIN 988
			C/W ITEMS 25, 26		
				WLZ-ST	DIN 625
				FEDST	DIN 472
				ST2K50	DIN 988
				FEDST	DIN 471
			C/W ITEMS 100 - 102		
			C/W ITEMS 100 - 102, 105		

22258006.tbl

# 4/1 reeving Bottom block 225/11

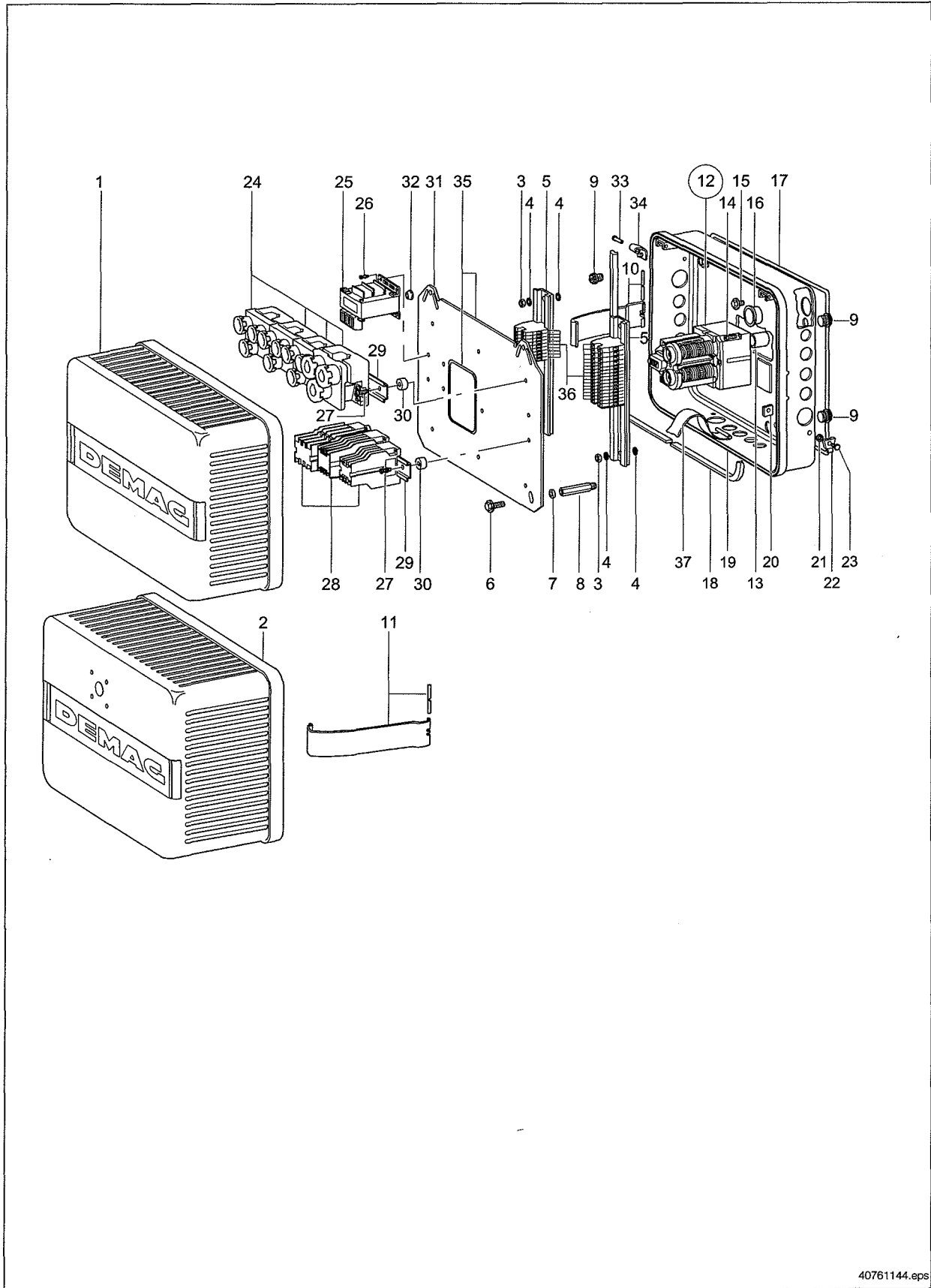


Item no.	Part number	Quantity	Designation	Material	Norm
1	829 125 44	1	BOTTOM BLOCK 2SH.225/11	C/W ITEMS 2 - 9, 12 - 15	
2	342 474 99	2	RETAINING RING 45X2.5	FEDST	DIN 471
3	341 396 99	2	SUPP. WASHER 45X55X 3	FEDST	DIN 988
4	341 388 99	1)	SHIM 45X55X0.5	ST2K50	DIN 988
5	829 105 44	4	COVER 225 DH 300		
6	829 108 44	2	SEALING STRIP 225 TOP		
7	829 138 44	4	SEALING STRIP 225 BOTT.		
8	829 106 44	2	GUIDE STIRRUP 225-DH		
9	829 112 44	2	ROPE SHEAVE 225/11 KG-L	C/W ITEMS 10, 11	
10	368 229 99	2	GRV. BALL BRG. 6209 2Z	WLZ-ST	DIN 625
11	342 666 99	1	RETAINING RING 85X3.0	FEDST	DIN 472
12	829 132 44	2	LINK PLATE 225 45/4S		
13	829 129 44	1	PIN 45 H 8X316 GROOVE		
14	829 137 44	1	SPACER SLEEVE 225 4/1		
15	829 141 44	1	HOOK ASSEMBLY S. 4 G250	C/W ITEM 16	
16	341 827 99	1	HOOK SAFETY CATCH 4	DIN 15106	O.ZEICHNG
17	829 149 44	1	HOOK ASSEMBLY D. 4 G250	C/W ITEM 18	
18	341 877 44	2	DBL.HOOK SAFE.CATCH 4/5	K060-2,5.4	STB
19	342 301 44	8	SELF-TAP. SCREW CM 5X10	ST-Z A2F	DIN 7500
20	829 844 44	2	LOAD CAPACITY PLATE 10T	DH 325	

22258007.tbl



# Electrical equipment



# Electrical equipment

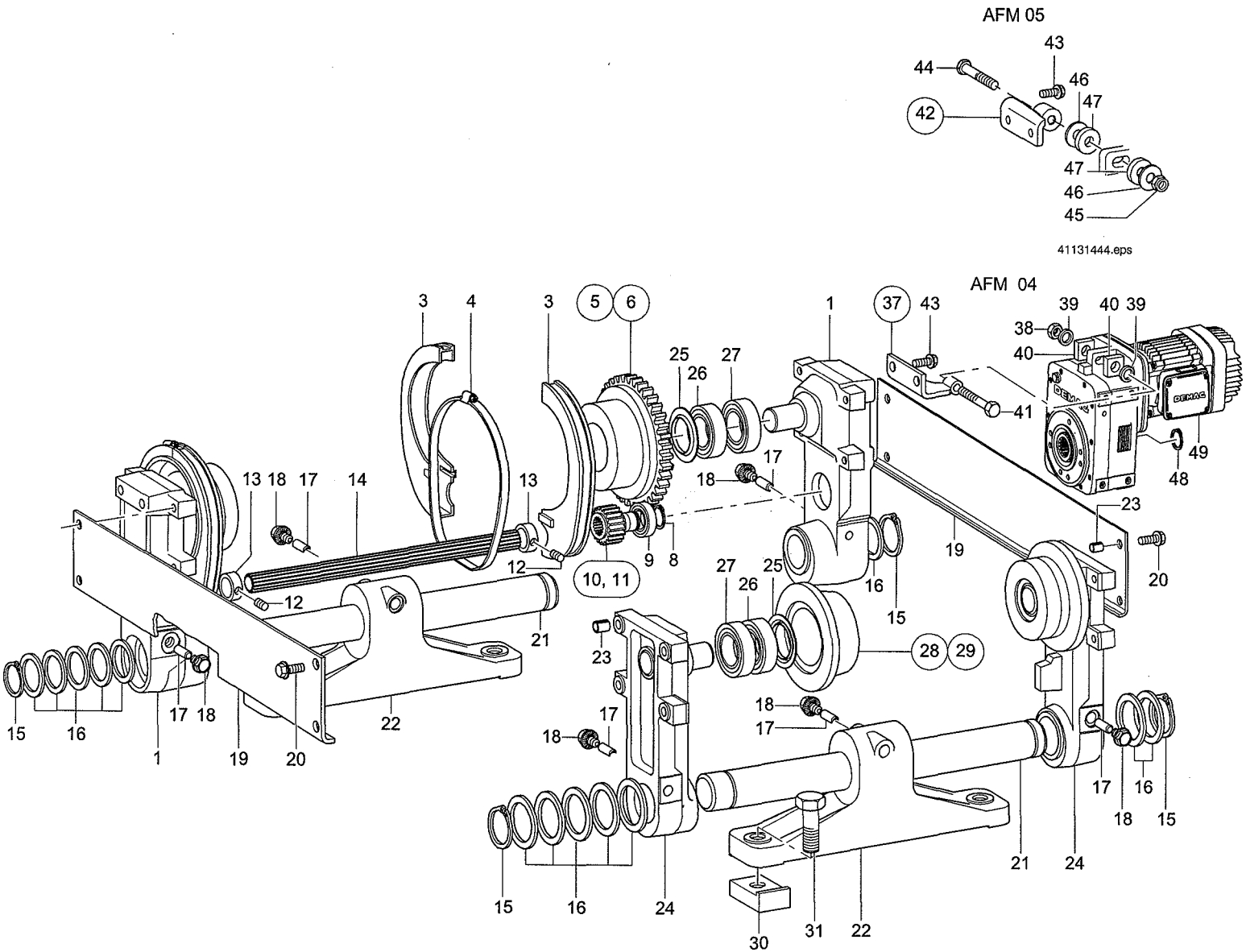
Item no.	Part number	Quantity	Designation	Material	Norm
1	360 508 46	1	COVER		
2	360 509 46	1	COVER DH300 LONG		
3	337 571 99	4	HEXAGON NUT M 6	8 A2F	DIN 934
4	343 686 99	8	FAN TYPE WASHER I 6,4	FEDST A2F	DIN 6798
5	894 936 44	2	MOUNT. RAIL 35 7.5X270M		
6	300 208 44	2	LOCKING SCREW M6X16 VB	100	N01189199
7	342 281 44	2	SPEED FIX SFR5228 D5.5	FED-ST A2F	
8	360 321 46	2	STUD BOLT DH 300/500		
9	504 530 44	3	TWIST ENTRY GLAND PG9 RD	203-401	
10	360 519 46	2	SPR.RET.SHORT DH300/500		
11	360 511 46	2	SPR.RET.LONG DH300/500		
12	875 200 44	1	GEARED LIM. SWITCH DGS3	C/W ITEM 13	
12	875 201 44	1	GEARED LIM. SWITCH DGS4	C/W ITEM 13	
13	875 318 44	1	COUPLING SLEEVE 30 MM		
14	324 722 99	2	SELF-TAP. SCREW CM 5X20	ST-Z A2F	DIN 7500
15	300 215 44	2	LOCKING SCREW M8X16 VB	100	N01189199
16	449 983 44	1	INSERT SLEEVE PG 21		
17	360 516 46	1	SEALING RING 7		
18	360 518 46	1	SEALING PROFILE 7/11X 8		
19	360 506 46	1	ELEC. ENCL. BASE DH 300		
20	981 152 44	2	SLIDING NUT M 6	1)	
21	340 875 44	2	WASHER 6,0/ 10X 2,5	1)	14PA101
22	504 419 44	2	CLAMP STRAIN RELIEF	1)	
23	307 403 99	2	HEXAGON SCREW M6 X 12	1)	8.8 A2F DIN 933
24		2)	FUSE ELEMENT		
25		2)	TRANSFORMER		
26	318 925 99	2)	CH.HD.SCREW M4X8Z3 A2F	4.8 DIN 84	DIN 6900
27	318 958 99	2)	CH.HD.SCREW M5X22Z4 A2F	4.8 DIN 84	DIN 6900
28		2)	CONTACTOR		
29		2)	MOUNTING RAIL		
30	894 874 44	2)	SPACER WASHER 6.2X20X10	DELRIN WS	
31		2)	MOUNTING PLATE		
32	300 281 44	2	LOCK NUT M 6 VB	10	N01189299
33	374 381 99	2	TUBULAR RIVET B6X1X28	CUZLN33F37	DIN 7340
34	360 547 46	2	HINGE W. THREADED PIN		
35	895 024 44	3)	EDGE PROTECT. STRIP 1.5	DX 1,5	SES
36		2)	CLIP-ON TERMINAL		
37	360 302 46	1	HINGE SECTION DH300/500		

22258008.tbi

1) Only with control pendant suspended from the hoist.  
 2) Items 24 - 31, 36 are dependent on the application.  
 3) Supplied per meter, specify length required when ordering.



**Standard-headroom monorail hoist UDH**  
**Carriage size 6**  
**4/1 reeving**



41131444.eps

# Standard-headroom monorail hoist UDH

## Carriage size 6

### 4/1 reeving

Item no.	Part number	Quantity	Designation	Material	Norm
	H 12	H 20			
1	831 219 44	2	LEG WITH PIN		
3	595 494 44	4	PROTECT. COVER UP/KP 4T		
4	595 495 44	2	SECURING STRAP UP/KP 4T		
5	830 229 44	2	TRV.WHEEL CYLINDR.125 1	C/W ITEMS 25 - 27	
6	830 234 44	2	TRV.WHEEL CONICAL 125 1	C/W ITEMS 25 - 27	
8	342 535 99	1	RETAINING RING 35X1.5	FEDST	DIN 471
9	368 167 99	1	GRV. BALLBRG. 6007 2RS	WLZ-ST IL	DIN 625
10	831 130 44	2	PINION BRG. 62/N25	C/W ITEMS 8, 9	
11	831 230 44	2	PINION BRG. 62/N30	C/W ITEMS 8, 9 AFM04/MOT. 90, AFM05	
12	325 385 99	2	THREADED PIN M10 X 12	45H MK	DIN- 914
13	830 169 44	2	SETTING RING A 25/45X18	AFM 04	DIN- 705
13	831 229 44	2	SETTING RING B 30/50X18	AFM 04/AFM 05	DIN- 705
14	830 161 44	1	DRIVE SHAFT 25 X 465	TO FL. W. 180MM	
14	830 162 44	1	DRIVE SHAFT 25 X 545	TO FL. W. 260MM	
14	830 163 44	1	DRIVE SHAFT 25 X 635	TO FL. W. 350MM	
14	831 161 44	1	DRIVE SHAFT 30 X 480	TO FL. W. 180MM, AFM05, AFM04/MOT.90	
14	831 162 44	1	DRIVE SHAFT 30 X 560	TO FL. W. 260MM, AFM05, AFM04/MOT.90	
14	831 163 44	1	DRIVE SHAFT 30 X 650	TO FL. W. 350MM, AFM05, AFM04/MOT.90	
15	342 552 99	4	RETAINING RING 55X2.0	FEDST	DIN 471
16	830 248 44	14	WASHER 55,2X60X10	FL. W. 119 - 165MM	
16	830 248 44	20	WASHER 55,2X60X10	FL. W. 166 - 245MM	
16	830 248 44	16	WASHER 55,2X60X10	FL. W. 246 - 305MM	
17	830 249 44	6	TAPERED LOCKING PIN 14		
18	342 321 44	6	LOCKING SCREW M16X25 VB		
19	830 155 44	2	SIDE PLATE DH 300-H12		
19		2	SIDE PLATE DH 300-H20		
20	300 230 44	8	LOCKING SCREW M10X30 VB	100	N01189199
21	830 278 44	2	PIN 55 H11X395 GROOVE	TO FL. W. 165MM	
21	830 279 44	2	PIN 55 H11X475 GROOVE	TO FL. W. 245MM	
21	830 280 44	2	PIN 55 H11X535 GROOVE	TO FL. W. 305MM	
22	830 282 44	2	CROSSBAR UDH 300		
23	345 783 99	8	SPLIT SLEEVE 13 X 12	55SI7 V	DIN 7346
24	831 224 44	2	LEG WITH PIN		
25	007 256 98	1	BRG. SEAL. RING 6208 M	FEDST	N01120399
26	361 285 99	1	CYL. ROLLER BRG. 208 E	WLZ-ST	DIN 5412
27	368 208 99	1	GROOVED BALLBRG 6208 Z	WLZ-ST	DIN 625
28	830 244 44	2	TRV.WHEEL CONICAL 125 1	C/W ITEMS 25 - 27	
29	830 238 44	2	TRV.WHEEL CYLINDR.125 1	C/W ITEMS 25 - 27	
30	822 259 44	4	RETAINING NUT M16		
31	307 582 99	4	HEX. SCREW M16 X 60	10.9	DIN 933
37	831 105 44	1	TORQUE BRACKET AF/M04	C/W ITEMS 38 - 41, 43	UDH 3-10 O.ZEICHNG
38	334 612 44	1	LOCKNUT V M12	8 A2F	DIN 980
39	340 591 99	2	WASHER A 13 X 24 X 2.5	AFM 04	140HV A2F
40	811 954 44	2	DAMPING ELEMENT	AFM 04	DIN 125
41	308 034 99	1	HEXAGON SCREW M12 X 90	AFM 04	8.8 A2F
42	831 175 44	1	TORQUE BRACKET AFM05	C/W ITEMS 43 - 47	UDH 3-10 O.ZEICHNG
43	300 230 44	2	LOCKING SCREW M10X30 VB	100	N01189199
44	304 371 99	1	HEXAGON SCREW M12 X 100	AFM 05	8.8 A2F
45	334 612 44	1	LOCKNUT V M12	8 A2F	DIN 980
46	160 623 99	2	WASHER 13X35X5	AFM 05	C 35 H
47	811 209 44	2	SPRING ELEMENT 13X35X10	AFM 05	DIN 6340
48	321 632 99	1	RETAINING RING 22 X 1.2	N25, AFM 04	FEDST
48	321 629 99	1	RETAINING RING 26 X 1.2	N30, AFM 04/AFM 05	FEDST

22258009.tbl

# Standard-headroom monorail hoist UDH

## Carriage size 6

### 4/1 reeving

Item no.	Quantity	Size	Travel drive 1)						
			Travel speed in approx. ... m/min						
			12,5	20	31,5	40	5/20	8/31,5	10/40
49	1	DH 325	AFM 04-D KMF 80 A 2 100% CDF 0,5kW i=23,2 808 302 46	AFM 04-D KMF 80 A 2 40% CDF 0,65kW i=14,2 808 301 46	AFM 04-Z KMF 90 A 2 40% CDF 1,0kW i=9,03 808 413 46	AFM 05-Z KMF 100 A 2 40% CDF 1,5kW i=7,44 808 600 46	AFM 04-D KMF 80 A 8/2 40% CDF 0,13/0,5kW i=14,2 808 311 46	AFM 04-Z KMF 90 A 8/2 40% CDF 0,2/0,8kW i=9,03 808 412 46	AFM 05-Z KMF 100 A 8/2 40% CDF 0,26/1,2kW i=7,44 808 610 46

22258036.tbl

#### Gear oil

Gearbox (item 49)	AFM 04	AFM 05
Quantity in litres	0,4	0,5
Part no.	472 902 44 1 litre	

22258034.tbl

#### Lubrication

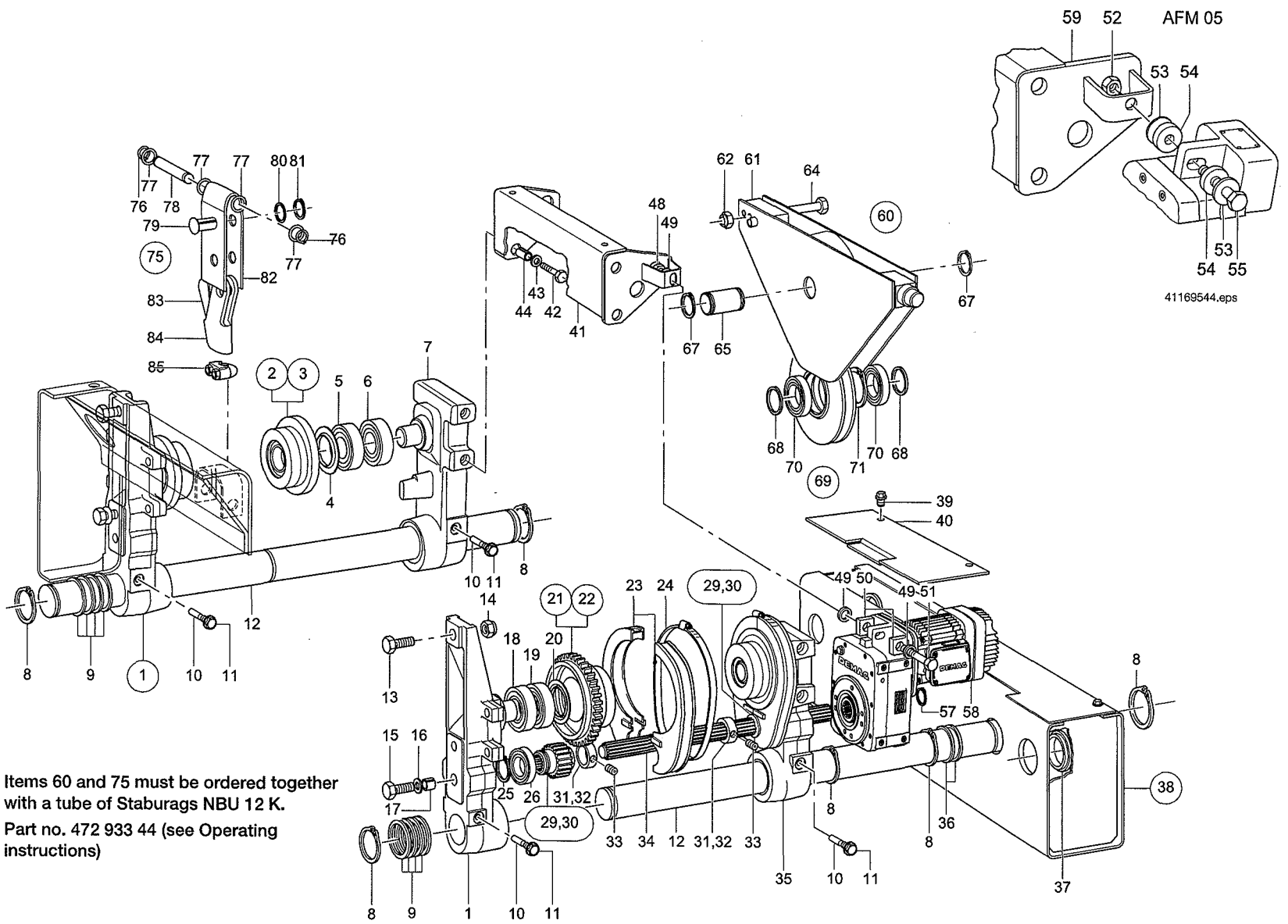
Protective cover (item 3)	Carriage size 6
Quantity in g	180
Part no.	472 915 44 400 g

22258035.tbl

1) For further travel drive components, see component part list  
 AFM 04 gearbox = 222 527 44  
 AFM 05 gearbox = 222 530 44  
 Motor KDF/KMF = 222 539 44



**Low-headroom monorail hoist KDH**  
**Carriage size 6**  
**4/1 reeving**



Items 60 and 75 must be ordered together with a tube of Staburags NBU 12 K. Part no. 472 933 44 (see Operating instructions)

41169544.eps

# Low-headroom monorail hoist KDH

## Carriage size 6

### 4/1 reeving

Item no.	Part number	Quantity	Designation	Material	Norm	
	H12	H20				
1	831 729 44	2	LEG WITH PIN			
2	830 238 44	2	TRV.WHEEL CYLINDR.125 1	C/W ITEMS 4 - 6		
3	830 244 44	2	TRV.WHEEL CONICAL 125 1	C/W ITEMS 4 - 6		
4	007 256 98	1	BRG. SEAL. RING 6208 IV	FEDST	N01120399	
5	361 285 99	1	CYL. ROLLER BRG. 208 E	WLZ-ST	DIN 5412	
6	368 208 99	1	GROOVED BALLBRG 6208 Z	WLZ-ST	DIN 625	
7	831 709 44	1	LEG WITH PIN			
8	342 557 99	8	RETAINING RING 65 X 2.5	FEDST	DIN 471	
9	596 843 44	76	WASHER 65.5 X 80 X 4	FL W. 100 - 245 MM		
9	596 843 44	32	WASHER 65.5 X 80 X 4	FL W. 246 - 305 MM		
9	596 843 44	60	WASHER 65.5 X 80 X 4	FL W. 306 - 420 MM		
10	830 249 44	4	TAPERED LOCKING PIN 14			
11	342 321 44	4	LOCKING SCREW M16X25 VB			
12	830 772 44	2	PIN 65,0 X1054	TO FL. W. 245 MM		
12	830 773 44	2	PIN 65,0 X1114	TO FL. W. 305 MM		
12	830 774 44	2	PIN 65,0 X1245	TO FL. W. 420 MM		
13	307 491 99	2	HEX. SCREW M16 X 50	8.8 A2F	DIN 933	
14	334 614 44	2	LOCKNUT VM16	8 A2F	DIN 980	
15	307 471 99	2	HEX. SCREW M12 X 45	8.8 A2F	DIN 933	
16	316 216 99	2	WASHER 13 X 24 X 3	C 45 HV	DIN 6916	
17	345 473 99	2	SPLIT SLEEVE 16 X 18	55S17 V	DIN 7346	
18	368 208 99	1	GROOVED BALLBRG 6208 Z	WLZ-ST	DIN 625	
19	361 285 99	1	CYL. ROLLER BRG. 208 E	WLZ-ST	DIN 5412	
20	007 256 98	1	BRG. SEAL. RING 6208 IV	FEDST	N01120399	
21	830 229 44	2	TRV.WHEEL CYLINDR.125 1	C/W ITEMS 18 - 20		
22	830 234 44	2	TRV.WHEEL CONICAL 125 1	C/W ITEMS 18 - 20		
23	595 494 44	4	PROTECT. COVER UP/KP 4T			
24	595 495 44	2	SECURING STRAP UP/KP 4T			
25	342 535 99	1	RETAINING RING 35X1.5	FEDST	DIN 471	
26	368 167 99	1	GRV. BALLBRG. 6007 2RS	WLZ-ST IL	DIN 625	
29	831 130 44	2	PINION BRG. 62/N25	C/W ITEMS 25, 26 AFM 04		
30	831 230 44	2	PINION BRG. 62/N30	C/W ITEMS 25, 26 AFM 04, AFM05/MOT90		
31	830 169 44	2	SETTING RING A 25/45X18	AFM 04	ST35	
32	831 229 44	2	SETTING RING B 30/50X18	AFM 05	9SMNPB28 K	
33	325 385 99	2	THREADED PIN M10 X 12	45H MK	DIN- 914	
34	830 161 44	1	DRIVE SHAFT 25 X 465	TO FL. W. 180 MM		
34	830 162 44	1	DRIVE SHAFT 25 X 545	TO FL. W. 260 MM		
34	830 163 44	1	DRIVE SHAFT 25 X 635	TO FL. W. 350 MM		
34	830 164 44	1	DRIVE SHAFT 25 X 750	TO FL. W. 420 MM		
34	831 161 44	1	DRIVE SHAFT 30 X 480	TO FL. W. 180 MM, AFM 05, AFM 04/MOT.90		
34	831 162 44	1	DRIVE SHAFT 30 X 560	TO FL. W. 260 MM, AFM 05, AFM 04/MOT.90		
34	831 163 44	1	DRIVE SHAFT 30 X 650	TO FL. W. 350 MM, AFM 05, AFM 04/MOT.90		
34	831 164 44	1	DRIVE SHAFT 30 X 765	TO FL. W. 420 MM, AFM 05, AFM 04/MOT.90		
35	831 713 44	1	LEG WITH PIN			
36	596 843 44	4	WASHER 65.5 X 80 X 4	AS REQUIRED		
37	830 664 44	4	COVER GGK 66			
38	831 680 44	1	COUNTERW. BOX KDH 300 H20	C/W ITEMS 39, 40		
39	504 978 44	4	SELF-TAP. SCREW DM 6 X 12	ST-BD A2F	DIN- 7500	
40	831 669 44	2	COVER, COUNTERW. BOX			
41	831 676 44	1	CONNECT. PLATE DH 300 H12	AFM 04		
41		831 678 44	1	CONNECT. PLATE DH 300 H20	AFM 04	
42	316 095 99	4	HEXAGON SCREW M 16 X 55	10.9 HV	DIN 6914	
43	316 211 99	4	WASHER 17 X 30 X 4	C 45 HV	DIN 6916	
44	345 775 99	4	SPLIT SLEEVE 21 X 28	55S17 V	DIN 7346	
48	334 612 44	1	LOCKNUT V M12	8 A2F	DIN 980	
49	316 217 99	3	WASHER 13 X 24 X 3	C 45A2E HV	DIN 6916	
50	811 954 44	2	DAMPING ELEMENT	AFM 04		
51	308 031 99	1	HEXAGON SCREW M12 X 70	AFM 04	8.8 A2F	
52	334 612 44	1	LOCKNUT V M12	AFM 05	8 A2F	
53	160 623 99	2	WASHER 13 X 35 X 5	AFM 05	C 35 H	
54	811 204 44	2	SPRING ELEMENT 13 X 35 X 12	AFM 05		
55	308 031 99	1	HEXAGON SCREW M12 X 70	AFM 05	8.8 A2F	
57	321 632 99	1	RETAINING RING 22 X 1.2	W25	FEDST	
57	321 629 99	1	RETAINING RING 26 X 1.2	W30	FEDST	
59	831 772 44	1	CONNECT. PLATE DH 300 H12	AFM 05	DIN 983	
59		831 774 44	1	CONNECT. PLATE DH 300 H20	AFM 05	DIN 983

22258010.tbi

# Low-headroom monorail hoist KDH

## Carriage size 6

### 4/1 reeving

Item no.	Quantity	Travel drive 1)							
		Size	Travel speed in approx. ... m/min						
			12,5	20	31,5	40	5/20	8/31,5	10/40
58	1	DH 325	AFM 04-D KMF 80 A 2 100% CDF 0,5kW i = 23,2 808 302 46	AFM 04-D KMF 80 A 2 40% CDF 0,65kW i = 14,2 808 301 46	AFM 04-Z KMF 90 A 2 40% CDF 1,0kW i = 9,03 808 413 46	AFM 05-Z KMF 100 A 2 40% CDF 1,5kW i = 7,44 808 600 46	AFM 04-D KMF 80 A 8/2 40% CDF 0,13/0,5kW i = 14,2 808 311 46	AFM 04-Z KMF 90 A 8/2 40% CDF 0,2/0,8kW i = 9,03 808 412 46	AFM 05-Z KMF 100 A 8/2 40% CDF 0,26/1,2kW i = 7,44 808 610 46

22258032.tbl

#### Gear oil

Gearbox (item 58)	AFM 04	AFM 05
Quantity in litres	0,4	0,5
Part no.	472 902 44 1 litre	

22258038.tbl

#### Lubrication

Protective cover (item 23)	Carriage size 6
Quantity in g	180
Part no.	472 915 44 400 g

22258033.tbl

## Compensating sheave

Item no.	Part number	Quantity	Designation	Material	Norm
	H 12				
60	828 730 44		1 RETURN SHEAVE 225/11	C/W ITEMS 61 - 65, 67 - 69	
60		828 750 44	1 RETURN SHEAVE 225/11	C/W ITEMS 61 - 65, 67 - 69	
61	828 733 44		1 RET.SHV.PIVOT BRG. 225		
62	334 610 44		1 LOCKNUT V M10	8 A2F	DIN 980
63	345 784 99		2 SPLIT SLEEVE 14 X 60	55SI7 V	DIN 7346
64	308 008 99		1 HEX. SCREW M 10 X 75	8.8 A2F	DIN- 931
65	828 154 44		1 PIN 45H 9X72 GROOVE		
67	342 545 99		2 RETAINING RING 45X1.75	FEDST	DIN 471
68	341 446 99		2 SHIM 45 X 55 X 1	ST2K50	DIN 988
69	829 112 44		1 ROPE SHEAVE 225/11 KG-L	C/W ITEMS 70, 71	
70	368 229 99		2 GRV. BALL BRG. 6209 2Z	WLZ-ST	DIN 625
71	342 666 99		1 RETAINING RING 85X3.0	FEDST	DIN 472

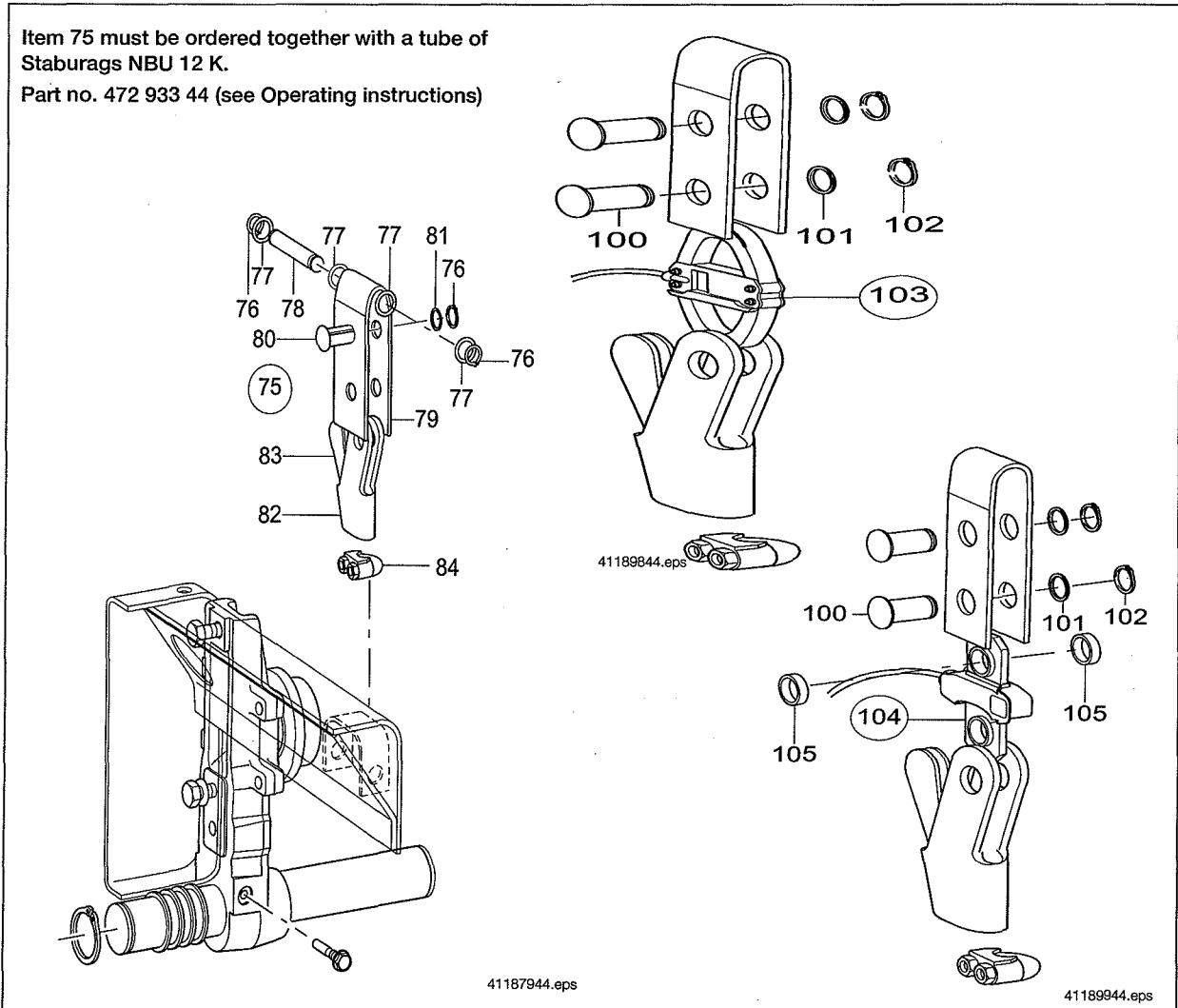
22258011.tbl

1) For further travel drive components, see component part list  
 AFM 04 gearbox = 222 527 44  
 AFM 05 gearbox = 222 530 44  
 Motor KDF/KMF = 222 539 44

# Low-headroom monorail hoist KDH

## Carriage size 6

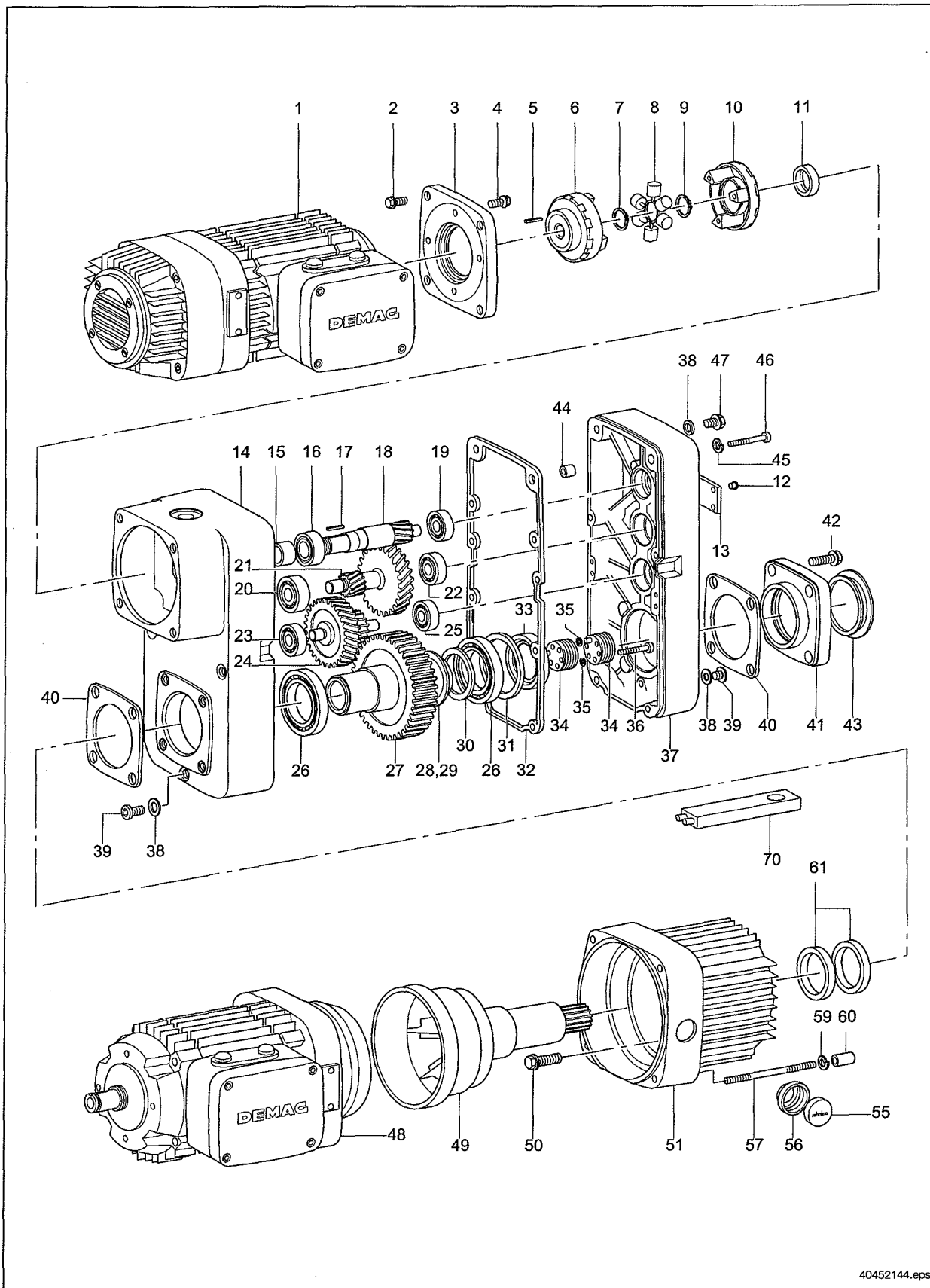
### 4/1 reeving



Item no.	Part number	Quantity	Designation	Material	Norm
75	828 104 44	1	ROPE RET.CROSSH. DH 325	C/W ITEMS 76 - 82, 84	
76	342 470 99	2	RETAINING RING 20 X 1.75	FEDST	DIN 471
77	343 501 99	4	SHIM 20 X 28 X 1	ST2K50	DIN 988
78	828 116 44	1	PIN 20H 9X101 GROOVE		
79	828 213 44	1	SETPIN 25H 9 X 75 GROOVE		
80	341 424 99	1	SHIM 25 X 35 X 1	ST2K50	DIN 988
81	342 503 99	1	RETAINING RING 25 X 2	FEDST	DIN 471
82	828 111 44	1	ROPE RET.CROSSH. PLATE		
83	828 218 44	1	ROPE WEDGE 11-14		
84	593 452 44	1	ROPE SOCKET 9 -14		
85	600 691 44	1	ROPE CLAMP 10.5-16 M12		
100	828 213 44	1	SETPIN 25H 9X75 GROOVE		
101	341 424 99	1	SHIM 25 X 35 X 1	ST2K50	DIN 988
102	342 503 99	1	RETAINING RING 25 X 2	FEDST	DIN 471
103	469 592 44	1	MGS UNIT 2.5 T	C/W ITEMS 100 - 102	
104	469 600 44	1	STRAIN GAUGE LINK W.CBL	C/W ITEMS 100 - 102, 105	
105	342 057 44	2	SPACER RING 27 X 32 X 8		



# FG 08 microspeed unit



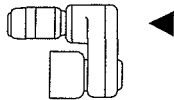
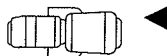
# FG 08 microspeed unit

Item no.	Part number	Quantity	Designation	Material	Norm
1		1	MOTOR KB 80	SEE PAGES 28 - 29	
2	300 230 44	4	LOCKING SCREW M10X30 VB	MOT. 80	100
3	715 222 44	1	INTERM.FLANGE-D06 160.2	MOT. 80	N01189199
4	300 217 44	4	LOCKING SCREW M 8X20 VB	MOT. 80	100
5	354 257 99	1	KEY B 6X 6X 20	MOT. 80	C 45 K
6	718 206 44	1	COUPLING HALF-H 1N-19	MOT. 80	
7	342 519 99	1	RETAINING RING 19X1.2	MOT. 80	FEDST
8	718 221 44	1	ROLLER SPIDER F.COUPL.1		
9	342 524 99	1	RETAINING RING 24X1.2	FEDST	DIN 471
10	718 207 44	1	COUPLING HALF H 1N-24		
11	376 530 99	1	SEALING RING A 35X47X7	NB IL	DIN 3760
12	350 413 99	4	GROOVED PIN A2.6X 6	ST A2F	ISO 8747
13	005 081 84	1	DATA PLATE GEARBOX D	LEFT BLANK	
14	717 304 44	1	GEARBOX CASING FG08		
15	716 369 44	1	BUSH 24.8 X 35 X 11	1)	
16	368 245 99	1	GROOVED BALLBRG.6205 FS	WLZ-ST	DIN 625
17	354 874 99	1	KEY B 8X 7X 21	C 45 K	DIN- 6885
18	717 366 44	1	PINION SHAFT Z37M1.25 1	(1:10)	
19	360 602 99	1	GROOVED BALL BRG. 6302	WLZ-ST IL	DIN 625
20	361 853 99	1	CYL.ROLLER BEARING 2203	WLZ-ST	DIN- 5412
21	813 713 46	1	CLUSTER GEAR Z20/41	(1:10)	
22	360 603 99	1	GROOVED BALL BRG. 6303	WLZ-ST IL	DIN 625
23	360 605 99	1	GROOVED BALL BRG. 6305	WLZ-ST	DIN 625
24	813 736 46	1	CLUSTER GEAR Z22/56	(1:10)	
25	361 231 99	1	CYL.ROLLER BEARING 305E	WLZ-ST	DIN 5412
26	360 454 99	2	GROOVED BALL BRG. 16014	WLZ-ST	DIN 625
27	717 352 44	1	HOLLOW SHAFT FG08/U	(1:10)	
28	341 377 99	1	SHIM 70 X 90 X 1	ST2K50	DIN 988
29	830 348 44	1	WASHER 70,5 X 90 X 4		
30	717 346 44	1	SPR. WASHER 70.6X90X2.5		
31	341 439 99	0	SHIM 90 X 110 X 0,1	ST2K50	DIN 988
31	343 509 99	0	SHIM 90 X 110 X 0,3	ST2K50	DIN 988
32	717 302 44	1	CASING SEAL FG08		
33	366 375 99	1	SEAL RING AS 70X100X10	NB IL	DIN 3760
34	717 840 44	2	ADJUST. NUT FG08 W/PIN		
35	367 145 99	2	O RING 5 X 2 B	NB 70	DIN 3770
36	319 246 99	4	HEX. SOCKET SCREW M8X50	10.9	DIN 912
37	717 306 44	1	GEARBOX COVER FG08		
38	367 073 99	7	O-RING 10X2 B	NB 70	DIN 3770
39	313 275 99	6	SCREW PLUG M12X1.5	4.6	DIN 908
40	717 310 44	2	BEARING COVER SEAL FG08		
41	717 312 44	1	BEARING COVER FG08		
42	300 230 44	4	LOCKING SCREW M10X30 VB	100	N01189199
43	717 333 44	1	PLUG 108 X 15		
44	715 311 44	2	CENTR. BUSH 10.5X16X12		
45	343 110 99	8	SPRING WASHER 10 A	FEDST	DIN 127
46	319 261 99	8	HEX.SOCKET SCREW M10X60	10.9	DIN 912
47	313 425 44	1	AIR VENT SCREW M12X1.5		
47	007 288 98	1	AIR VENT VALVE AM12X1.5	3)	ST
48		1	MOTOR KBH 125	SEE PAGES 4 - 5	N01181599
49	717 867 44	1	BRAKE SHAFT FG08 B.T.ZN	MOT. 125	
50	300 230 44	4	LOCKING SCREW M10X30 VB	100	N01189199
51	717 816 44	1	FAN COVER FG08/KB125	MOT. 125	
55	601 050 44	1	INSPECTION WINDOW		
56	601 049 44	1	RUBBER GROMMET		
57	600 647 44	4	STUD BOLT M 8X58X70	MOT. 125	
59	343 108 99	4	LOCK WASHER 8 A	MOT. 125	FEDST
60	600 659 44	4	NUT M8 WITH HEX. SOCKET	MOT. 125	DIN 127
61	366 375 99	2	SEAL RING AS 70X100X10	NB IL	DIN 3760
70	717 398 44	1	BRAKE ADJUST. KEY FG08		

## Gear oil

22258013.tbl

◀ Ventilation at the highest point of the gearbox

Mounting position			Oil quantity in litres	Part no.
U0		U2	2	472 900 44 2,5 litres
U1		U3	1,5	

401329U0 - U3.eps

22230647.tbl

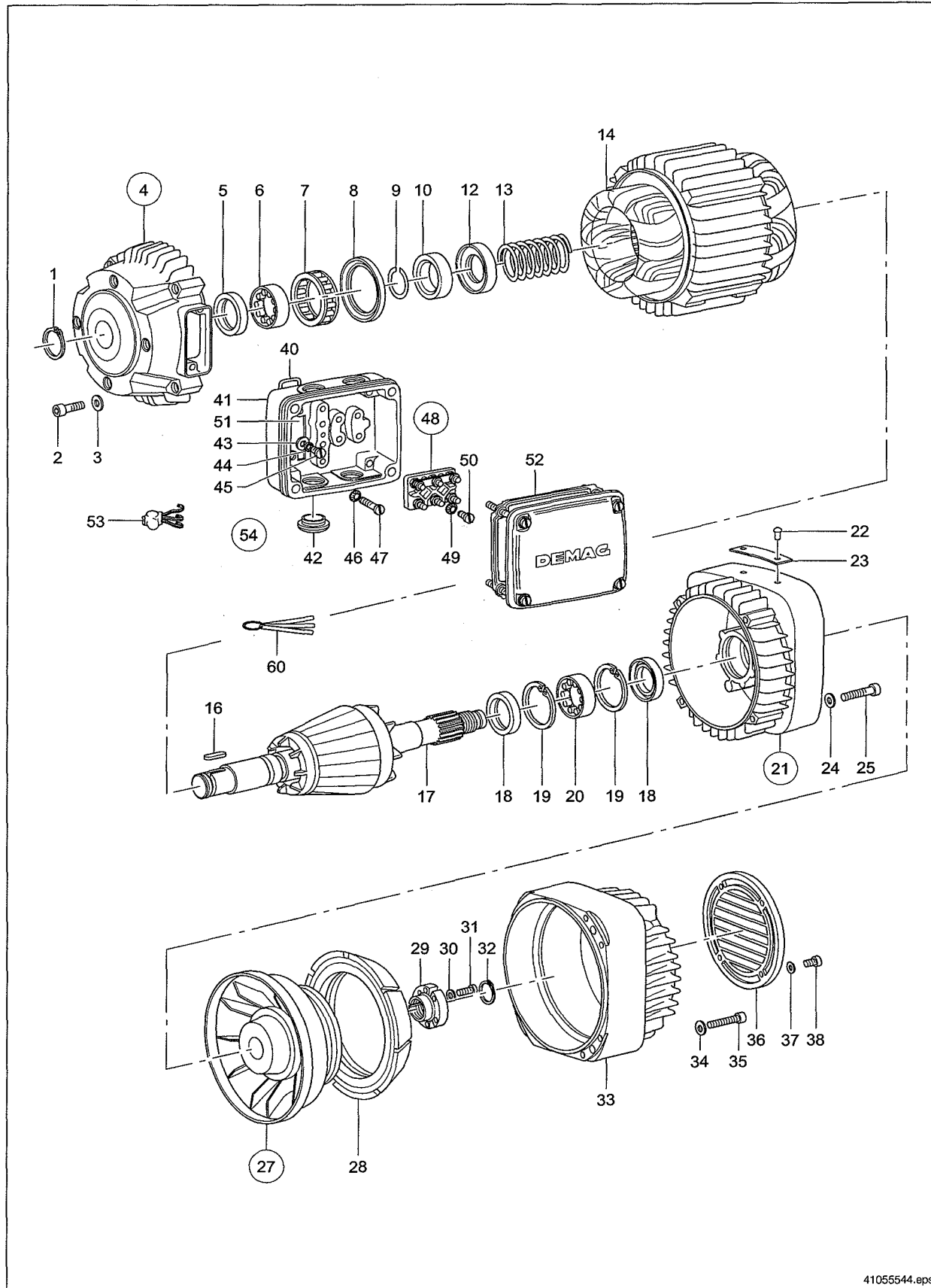
- 1) Glued and sealed with Loctite 675.
- 2) Shim to compensate for tolerances.  
Dished washers (item 30) pretensioned by 0,5mm.

- 3) For service in arduous conditions.

# KBA 80 B4 creep hoist motor

Motor KBA 80 B4, 230/400 V, c/w items 1- 4, 9, 10, 12 - 17, 21 - 27, 29 - 48, 51,52

Part no.  
055 178 84



# KBA 80 B4 creep hoist motor

Item no.	Part number	Quantity	Designation		Material	Norm
1	342 519 99	1	RETAINING RING 19X1.2		FEDST	DIN 471
2	319 228 99	4	HEX. SOCKET SCREW M6X25		10.9	DIN 912
3	004 655 98	4	LOCK WASHER S6		FEDST A2F	N01081399
4	059 603 84	1	DRIVE END CAP, CPL.	C/W ITEMS 5 - 8		
5	617 644 44	1	SEALING RING 22.9X40X5		NB	N01186099
6	365 253 99	1	CYL.ROLLER BRG. RNU 203	F = 22,9 mm	WLZ-ST	DIN 5412
7	364 006 99	1	BALL THRUST BRG. 51106		WLZ-ST	DIN 711
8	059 801 84	1	SEALING RING 37X47.5X5		NB	N01186099
9	374 123 44	1	RETAINING RING 22.9X1.3		FEDST	N01117399
10	059 808 84	1	THRUST RING SET	C/W ITEM 11		
11	059 888 84	1	THRUST RING 22.9/37X9.3	1)		
11	059 806 84	1	THRUST RING 22.9/37X9.6	1)		
11	059 807 84	1	THRUST RING 22.9/37X9.9	1)		
11	059 809 84	1	THRUST RING 22.9/37X10.2	1)		
11	059 811 84	1	THRUST RING 22.9/37X10.5	1)		
11	059 812 84	1	THRUST RING 22.9/37X10.8	1)		
11	059 813 84	1	THRUST RING 22.9/37X11.1	1)		
12	059 822 84	1	DISHED WASHER PACK			
13	059 779 84	1	SPRING 3.4X29X67 YEL./GREEN			
14	056 182 84	1	STATOR 230/400V 50 AB	1)		
16	354 257 99	1	KEY B 6X 6X 20		C 45 K	DIN 6885
17	059 327 84	1	ROTOR FOR GEARBOX	1)		
18	617 644 44	2	SEALING RING 22.9X40X5		NB	N01186099
19	342 640 99	2	RETAINING RING 40X1.75		FEDST	DIN 472
20	365 253 99	1	CYL.ROLLER BRG. RNU 203	F = 22,9 mm	WLZ-ST	DIN 5412
21	059 606 84	1	BRAKE END CAP, CPL.	C/W ITEMS 18 - 20		
22	350 413 99	2	GROOVED PIN A2.6X 6		ST A2F	ISO 8747
23	054 817 84	1	RATING PLATE LEFT BLANK			
24	004 655 98	4	LOCK WASHER S6		FEDST A2F	N01081399
25	319 236 99	4	HEX. SOCKET SCREW M6X45		10.9	DIN 912
27	059 791 84	1	CONIC.BRK.DISC, LGHT532	C/W ITEM 28		
28	059 786 84	1	CONIC.BRK.RING 532ASBFR			
29	059 714 84	1	ADJUSTING NJT			
30	004 654 98	4	LOCK WASHER S5		FEDST A2F	N01081399
31	319 179 99	4	HEX. SOCKET SCREW M5X20		10.9	DIN 912
32	342 515 99	1	RETAINING RING 15 X 1		FEDST	DIN 471
33	059 701 84	1	BRAKE CAP, MACHINED			
33	059 703 84	1	BRAKE CAP, GALVANIZED	2)		
34	004 655 98	4	LOCK WASHER S6		FEDST A2F	N01081399
35	319 236 99	4	HEX. SOCKET SCREW M6X45		10.9	DIN 912
36	059 719 84	1	LOUVER			
37	004 654 98	4	LOCK WASHER S5		FEDST A2F	N01081399
38	318 143 99	4	CHEESE HEAD SCREW M5X10		4.8 A2F	DIN 84
40	054 806 84	1	O RING 46 X 2.5 MM 150			
41	054 954 84	1	TERM.BOX BASE, MACHINED			
42	007 238 98	4	THREADED PLUG PG16 D		BAKELIT	N01181399
43	340 505 99	1	WASHER A 5.3X10X1		140HV A2F	DIN 125
44	343 852 99	1	LOCK WASHER A5		FEDST	DIN 7980
45	318 143 99	1	CHEESE HEAD SCREW M5X10		4.8 A2F	DIN 84
46	004 654 98	2	LOCK WASHER S5		FEDST A2F	N01081399
47	318 181 99	2	CHEESE HEAD SCREW M5X30		4.8 A2F	DIN 84
48	054 922 84	1	TERMINAL PLATE, CPL.	C/W ITEMS 49, 50		
49	004 654 98	2	LOCK WASHER S5		FEDST A2F	N01081399
50	325 292 99	2	SELF-TAP. SCREW BM5X16		C 15 A2F	DIN 7513
51	054 909 84	1	CABLE ENTRY SLEEVE			
52	054 946 84	1	TERMINAL BOX COVER, CPL			
60	100 150 84	3	FEELER GAUGE	0,25; 0,30; 0,35; 40mm 1)		

22258014.tbi

1) When ordering a rotor or stator, a set of thrust rings (item 10) must also be ordered for adjusting the air gap in the stator bore to 0,30 mm using feeler gauge set (item 60)

2) For service in arduous conditions

3) Required air gap between stator bore and rotor 0,30 mm