

PNSA
DNSA
SNSA



LEVEL CONTROL RELAY FOR CONDUCTIVE LIQUIDS



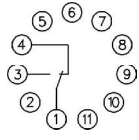
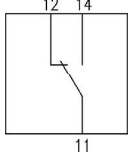
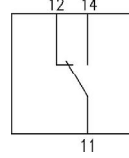
Difference	· Level control relay for conductive liquids. · Suitable for the more common applications.
Operating principle	Maximum and Minimum control. The relay operates when the liquid reaches the maximum level electrode (5:PNSA; Y2:DNSA-SNSA) and releases when it goes below the minimum level electrode (6:PNSA; Y1:DNSA-SNSA). Maximum or Minimum control. The relay operates when the liquid reaches the level electrode (5/6:PNSA; Y1/Y2:DNSA-SNSA) and releases when it goes below it.
Leds indication	Power on: Green Relay on: Red
Sensitivity	Adjustable from 10..100K Ω
Volt./Cur. in probes line	24 VAC / 4 mA (in shortcircuit)
Probes connection cables	Usually 1..2,5 mm ² section cables are used, with good insulation and without shielding. In some installations (when the supply and probe lines are parallel in the same tube and with long distances) shielded cable is recommended. The isolation resistance between cables and ground must be at least 200 K Ω . The screen is connected to ground.
Connection of the common electrode	If the tank is not conductive, an additional probe must be fitted for connecting the common electrode, terminal 7(PNSA) or Z1 (DNSA-SNSA).
Probes cable length	No specification detailed
Accessories	Electrodes type: NS, NR 43650, NRA 43650, NR, NRA, NT, NRP, NP, NRT2. Separators: NR.SEP, NRA.SEP Attachment nuts: NR.TUE/P, NR.TUE/T Overvoltage protector: PS-3

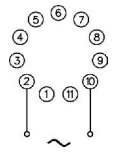
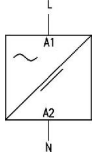
Reference	HOUSING	FUNCTION	OUTPUT	SUPPLY	RANGE
	P Plug-in D DIN rail S Flush mounting	NS Level control relay	A SPDT	024 24 VAC 048 48 VAC 110 110..125 VAC 230 220..240 VAC 400 380..415 VAC	100 10..100K Ω

To compose the reference, select one option of each column. Example: **PNSA 400 100**

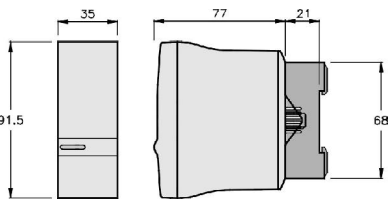
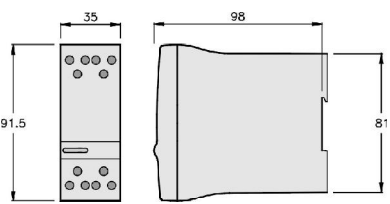
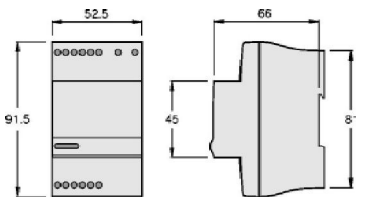
Operating diagram		Adjustment buttons	
-------------------	--	--------------------	--

	PNSA	DNSA - SNSA
Connection diagram		

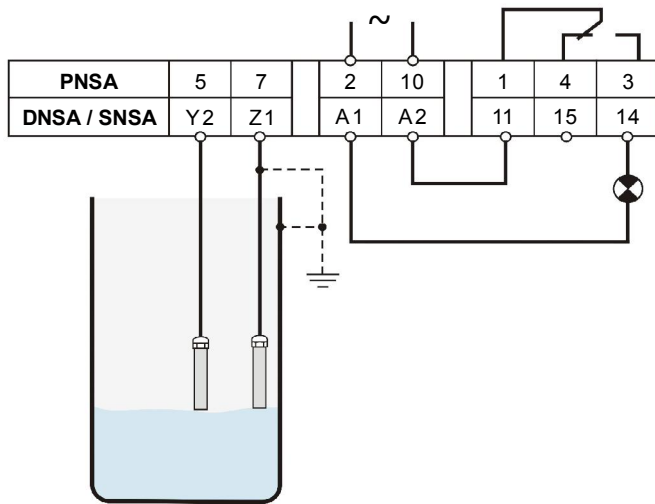
		PNSA	DNSA	SNSA	
Output relays					
	Resistive load	AC	8 A / 250 V	8 A / 250 V	8 A / 250 V
		DC	0,25 A / 200 V 8 A / 24 V	0,25 A / 200 V 8 A / 24 V	0,25 A / 200 V 8 A / 24 V
	Inductive load	AC	2,5 A / 250 V	2,5 A / 250 V	2,5 A / 250 V
		DC	4 A / 24 V	4 A / 24 V	4 A / 24 V
	Mechanical life		> 30 x 10 ⁶ operations	> 30 x 10 ⁶ operations	> 30 x 10 ⁶ operations
	Max. switching rate, mech.		72.000 operations / hour	72.000 operations / hour	72.000 operations / hour
	Electrical life at full load		360 operations / hour	360 operations / hour	360 operations / hour
	Contact material		AgNi 90/10	AgNi 90/10	AgNi 90/10
	Maximum voltage		440 VAC	440 VAC	440 VAC
	Operating voltage		250 VAC	250 VAC	250 VAC
	Volt. between changeovers		2500 VAC	2500 VAC	2500 VAC
	Voltage between contacts		1000 VAC	1000 VAC	1000 VAC
	Voltage coil/contact		5000 VAC	5000 VAC	5000 VAC
Distance coil/contact		10 mm	10 mm	10 mm	
Isolation resistance		> 10 ⁴ MΩ	> 10 ⁴ MΩ	> 10 ⁴ MΩ	

Supply	AC	
	PNSA	DNSA/SNSA
		
	Galvanic isolation	
	Consumption	
	Frequency	
	Operating margins	
	Positive	
Protected polarity		

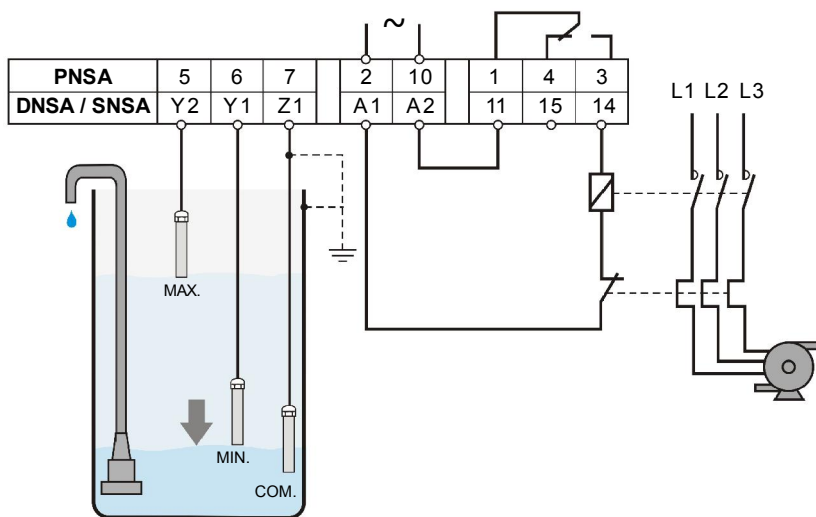
Constructive and environmental data	PNSA	DNSA	SNSA	
	Voltage phase-neutral	300 V	300 V	300 V
	Overvoltage category	III	III	III
	Rated impulse voltage	4 kV	4 kV	4 kV
	Pollution degree	2	3	2
	Protection	IP 20 B	IP 20	IP 20
	Approximate weight	250 g	280 g	270 g
	Storage temperature	-50..+85°C	-50..+85°C	-50°C..+85°C
	Operating temperature	-20..+50°C	-20..+50°C	-20°C..+50°C
	Humidity	30..85% HR	30..85% HR	30..85% HR
	Housing	Cyclopol - Light grey	Cyclopol - Light grey	Cyclopol - Light grey
	Socket	Lexan - Light grey	-	-
	Visor leds	Lexan - Transparent	Lexan - Transparent	Lexan - Transparent
	Button, terminal block, clip	Technyl - Dark blue	Technyl - Dark blue	Technyl - Dark blue
Pins of the socket	Nickel-plated brass	-	-	
Pins of the terminal block	-	Brass	Brass	
Approvals	Designed and manufactured under EEC standards. Electromagnetic compatibility , directives 89/366/EEC and 92/31/EEC. Electric safety, directive 73/23/EEC. Plastics: UL 91 V0			

Dimensions	PNSA	DNSA	SNSA
			

EXAMPLES OF CONNECTIONS

**Control to only one level point**

The contact of relay remains activated while both electrodes are in contact with the liquid simultaneously.

**Emptying control**

The relay maintains the level between upper and lower electrodes. When the liquid reaches the top electrode is placed on the pump will stop when the liquid falls below the minimum electrode.

LEVEL SENSORS FOR CONDUCTIVE LIQUIDS

- Compact and electrode holder exclusive use electrodes in conductive liquids. Control points are used to separate or combined level including wells and reservoirs of different height.
- They need to connect to a level relay for conductive liquids.
- The number of electrodes is determined by the chosen relay function.

Follow these links for:



[Further information on the level sensors](#)

[Know the installation conditions of the conductive level relays](#)

