

CVM-1D

Single-phase
power analyzer

*The smallest and
most powerful on the market*



Main Features

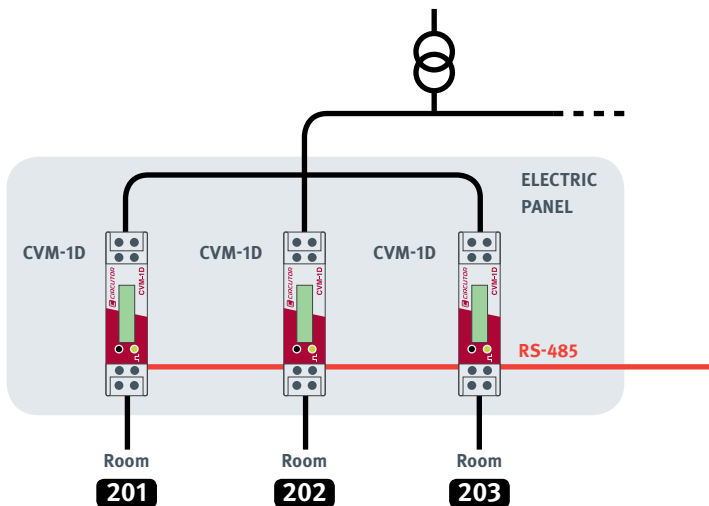
CVM-1D is a power analyzer for single-phase circuits up to 32 A. It has an LCD display with a rotating screen system, showing a total of 24 instantaneous, maximum and minimum electrical variables. It has been designed in an enclosure with only 1 DIN module (18 mm). The small size of the analyzer allows it to be installed in any electrical panel. The unit has the Modbus/RTU (RS-485) protocol and is compatible with the **PowerStudio** management software.

Features:

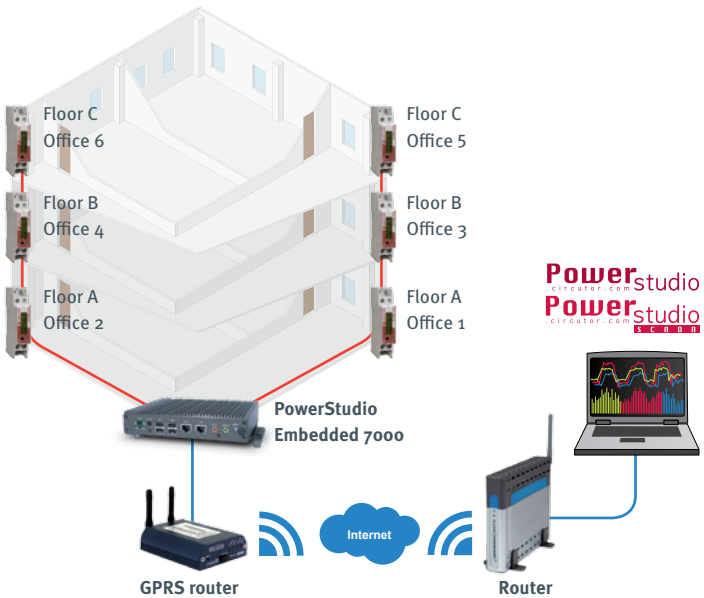
- Six-digit LCD Display
- RS-485 Modbus/RTU communications
- Programmable impulse output or alarm
- 4 quadrants measuring

Variables measured:

- Voltage, Current, Active Power, Reactive Power (L/C), Apparent Power, Power Factor, Active Energy, Reactive Energy, Partial Energy Meters.



Applications



Energy consumption control applications:

- Student residences / Hotels
- Marinas
- Shopping centres
- Buildings with rented office space
- Camp sites
- Domestic and industrial single-phase lines

TCP2RS+



Ethernet

TCP2RS+ is a gateway aimed to convert the physical medium Ethernet to RS-232 or RS-485, or vice versa. The unit has a Web Server to configure its parameters.



Powerstudio
circuitur.com
Powerstudio
circuitur.com
S C B D R

Technical features

CVM-1D

Model	Code
CVM-1D-C	M55510
CVM-1D-RS-485-C	M55511

Power supply circuit

Single-phase power supply	230 V _{AC} ±20%
Consumption	1.5 VA
Frequency	50 / 60 Hz

Metering circuit:

Phase – Neutral nominal voltage	184 V _{AC} to 276 V _{AC}
Frequency	50 / 60 Hz
Nominal current	32 A
Minimum current	20 mA
Maximum current	36 A

Output transistor characteristics

Type	Optoinsulated transistor (commutator open) NPN
Maximum operating voltage	35 V DC
Maximum operating current	50 mA
Maximum frequency	5 impulses / s
Impulse duration	100 ms (configurable)
Insulation	3.7 kV _{RMS} / 1 min

Communications

Port / Protocol	RS-485 / Modbus/RTU
-----------------	---------------------

Environmental conditions

Operating temperature	-10 °C to + 50 °C
Protection degree	IP 31
Humidity (non-condensing)	5% to 95%
Maximum altitude	2000 m

Safety

Type of insulation	EN 61010 double-insulated electric shock protection class II
--------------------	---

Standards

IEC 664, VDE 0110, UL94-V0, EC 801, IEC 348, IEC 571-1, Class B
EN 50470-3 in Active Energy, Class 2 **EN 62053-23** in Reactive Energy,
EN 50470-1, EN 61010, EN 61000-4-3, EN 61000-4-4, EN 61000-6-4, EN 55022

www.circuitor.com

CIRCUTOR, SA - Vial Sant Jordi, s/n
08232 Viladecavalls (Barcelona) Spain
Tel. (+34) 93 745 29 00 - Fax: (+34) 93 745 29 14
central@circuitor.es

