

microvalvole

microvalves



- Microvalvole a otturatore NC e NA
NC and NO poppet microvalves
- Installazione in qualsiasi posizione
Installation in any position
- Attacchi filettati M5 o raccordi automatici per tubo $\varnothing 4$
M5 threaded ports or push-in fittings for $\varnothing 4$ tube
- Bassa forza di azionamento
Low actuating force
- Versione con adattatore (foro $\varnothing 22$) per montaggio a pannello
Version with adaptor for panel mounting (with $\varnothing 22$ hole)
- Esecuzioni speciali a richiesta
Special versions on request



Materiali

Corpo: alluminio 11S

Molla: INOX

Guarnizioni: NBR

Parti interne: ottone OT58

Materials

Body: aluminium 11S

Spring: stainless steel

Seals: NBR

Internal parts: brass OT58

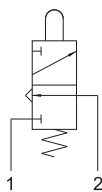
Diametro nominale <i>Nominal orifice</i>	2.5 mm
Portata nominale a 6 bar <i>Nominal flow rate at 6 bar</i>	100 NI/min
Temperatura di esercizio <i>Temperature range</i>	max +60°C
Pressione di esercizio <i>Working pressure</i>	2 ... 10 bar 0.2 ... 1 MPa
Forza di azionamento <i>Actuating force</i>	6 N
Fluido <i>Fluid</i>	Aria filtrata 50 μ con o senza lubrificazione <i>50μ filtered, lubricated or non lubricated air</i>



304 MA

3/2 NC raccordi automatici per tubo $\varnothing 4$ (sotto), pulsante

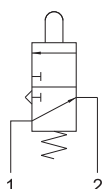
3/2 NC push-in fittings for $\varnothing 4$ tube (ports on the bottom), tappet



314 MA

3/2 NA raccordi automatici per tubo $\varnothing 4$ (sotto), pulsante

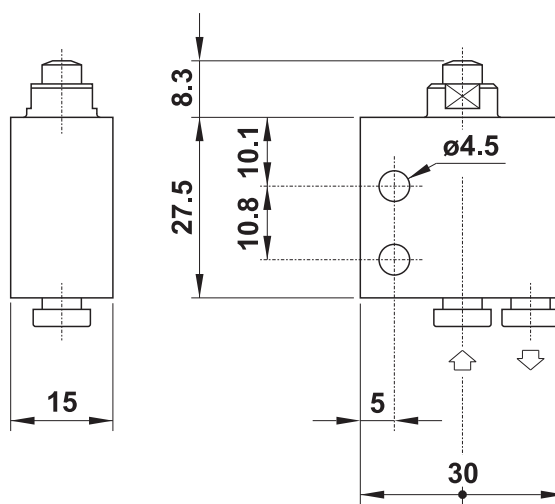
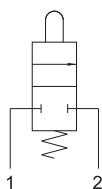
3/2 NO push-in fittings for $\varnothing 4$ tube (ports on the bottom), tappet



204 MA

2/2 NC raccordi automatici per tubo $\varnothing 4$ (sotto), pulsante

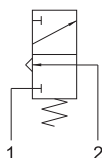
2/2 NC push-in fittings for $\varnothing 4$ tube (ports on the bottom), tappet



304 MB

3/2 NC raccordi automatici per tubo $\varnothing 4$ (sotto), interfaccia per attuatore da pannello

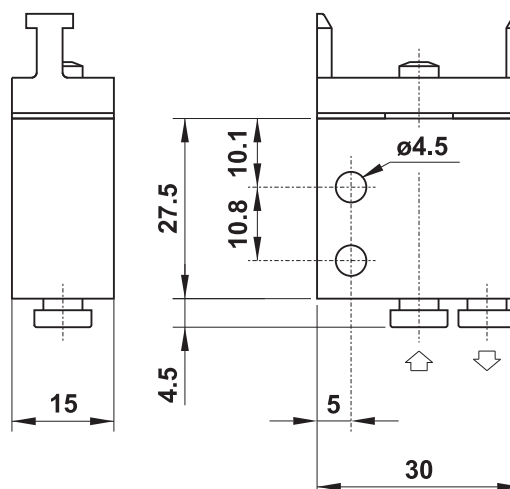
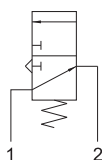
3/2 NC push-in fittings for $\varnothing 4$ tube (ports on the bottom), actuator adaptor for panel mounting



314 MB

3/2 NA raccordi automatici per tubo $\varnothing 4$ (sotto), interfaccia per attuatore da pannello

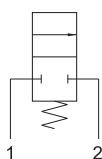
3/2 NO push-in fittings for $\varnothing 4$ tube (ports on the bottom), actuator adaptor for panel mounting



204 MB

2/2 NC raccordi automatici per tubo $\varnothing 4$ (sotto), interfaccia per attuatore da pannello

2/2 NC push-in fittings for $\varnothing 4$ tube (ports on the bottom), actuator adaptor for panel mounting

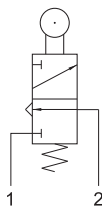




304 MR

3/2 NC raccordi automatici per tubo $\varnothing 4$ (sotto),
leva rullo

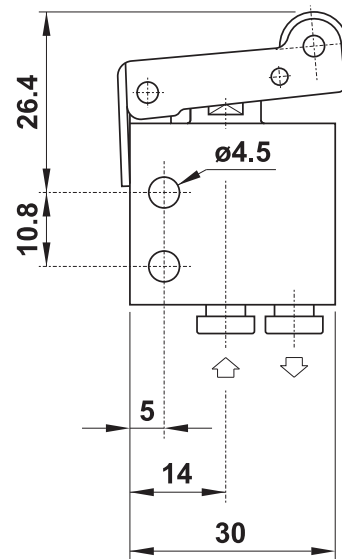
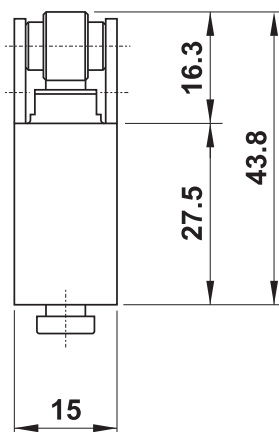
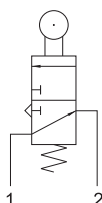
3/2 NC push-in fittings for $\varnothing 4$ tube (ports on the bottom),
roller lever



314 MR

3/2 NA raccordi automatici per tubo $\varnothing 4$ (sotto),
leva rullo

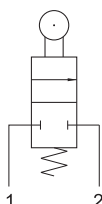
3/2 NO push-in fittings for $\varnothing 4$ tube (ports on the bottom),
roller lever



204 MR

2/2 NC raccordi automatici per tubo $\varnothing 4$ (sotto),
leva rullo

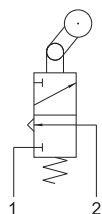
2/2 NC push-in fittings for $\varnothing 4$ tube (ports on the bottom),
roller lever



304 MS

3/2 NC raccordi automatici per tubo $\varnothing 4$ (sotto),
leva unidirezionale

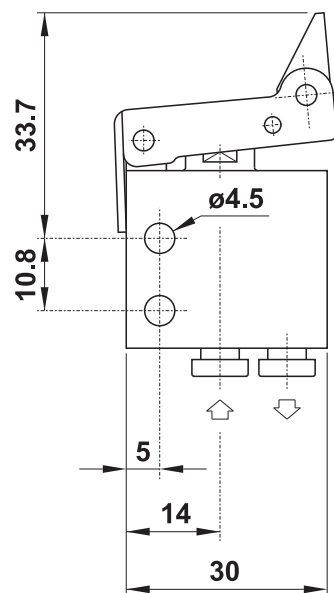
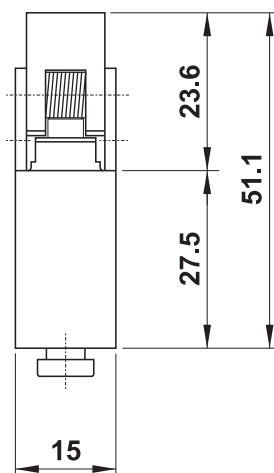
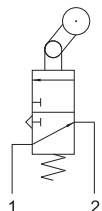
3/2 NC push-in fittings for $\varnothing 4$ tube (ports on the bottom),
uni-directional lever



314 MS

3/2 NA raccordi automatici per tubo $\varnothing 4$ (sotto),
leva unidirezionale

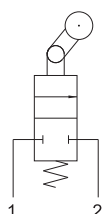
3/2 NO push-in fittings for $\varnothing 4$ tube (ports on the bottom),
uni-directional lever



204 MS

2/2 NC raccordi automatici per tubo $\varnothing 4$ (sotto),
leva unidirezionale

2/2 NC push-in fittings for $\varnothing 4$ tube (ports on the bottom),
uni-directional lever

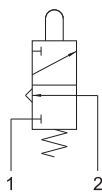




304 MV

3/2 NC raccordi automatici per tubo $\varnothing 4$ (sotto),
pulsante passa parete

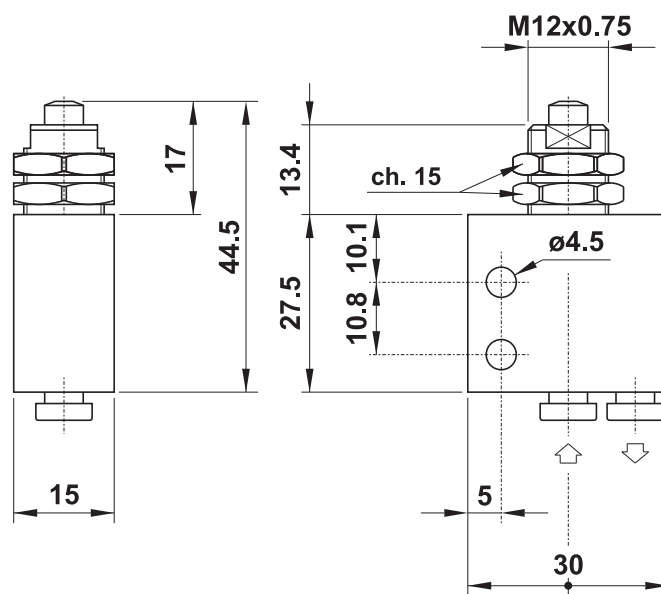
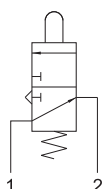
3/2 NC push-in fittings for $\varnothing 4$ tube (ports on the bottom),
panel mount tappet



314 MV

3/2 NA raccordi automatici per tubo $\varnothing 4$ (sotto),
pulsante passa parete

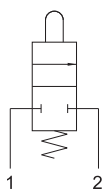
3/2 NO push-in fittings for $\varnothing 4$ tube (ports on the bottom),
panel mount tappet



204 MV

2/2 NC raccordi automatici per tubo $\varnothing 4$ (sotto),
pulsante passa parete

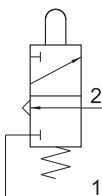
2/2 NC push-in fittings for $\varnothing 4$ tube (ports on the bottom),
panel mount tappet



304 MA UL

3/2 NC raccordi automatici per tubo $\varnothing 4$ (laterali),
pulsante

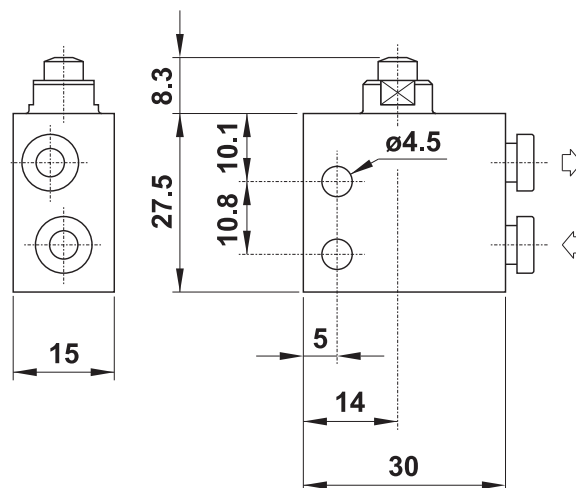
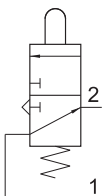
3/2 NC push-in fittings for $\varnothing 4$ tube (ports on the side),
tappet



314 MA UL

3/2 NA raccordi automatici per tubo $\varnothing 4$ (laterali),
pulsante

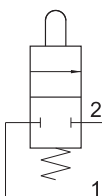
3/2 NO push-in fittings for $\varnothing 4$ tube (ports on the side),
tappet



204 MA UL

2/2 NC raccordi automatici per tubo $\varnothing 4$ (laterali),
pulsante

2/2 NC push-in fittings for $\varnothing 4$ tube (ports on the side),
tappet

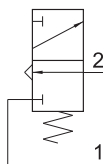




304 MB UL

3/2 NC raccordi automatici per tubo $\varnothing 4$ (lateral), interfaccia per attuatore da pannello

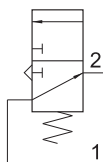
3/2 NC push-in fittings for $\varnothing 4$ tube (ports on the side), actuator adaptor for panel mounting



314 MB UL

3/2 NA raccordi automatici per tubo $\varnothing 4$ (lateral), interfaccia per attuatore da pannello

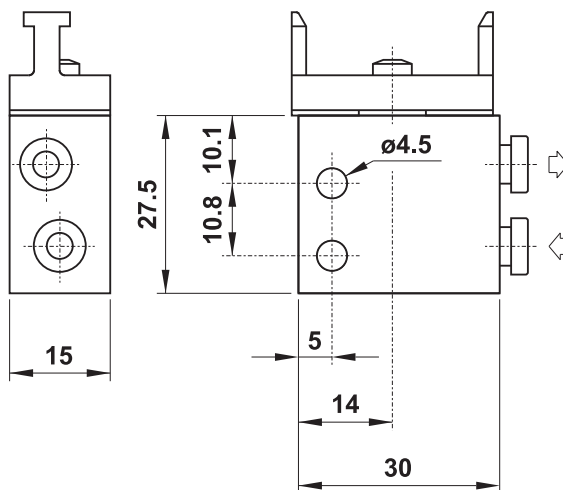
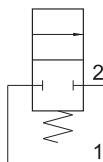
3/2 NO push-in fittings for $\varnothing 4$ tube (ports on the side), actuator adaptor for panel mounting



204 MB UL

2/2 NC raccordi automatici per tubo $\varnothing 4$ (lateral), interfaccia per attuatore da pannello

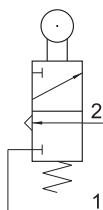
2/2 NC push-in fittings for $\varnothing 4$ tube (ports on the side), actuator adaptor for panel mounting



304 MR UL

3/2 NC raccordi automatici per tubo $\varnothing 4$ (lateral), leva rullo

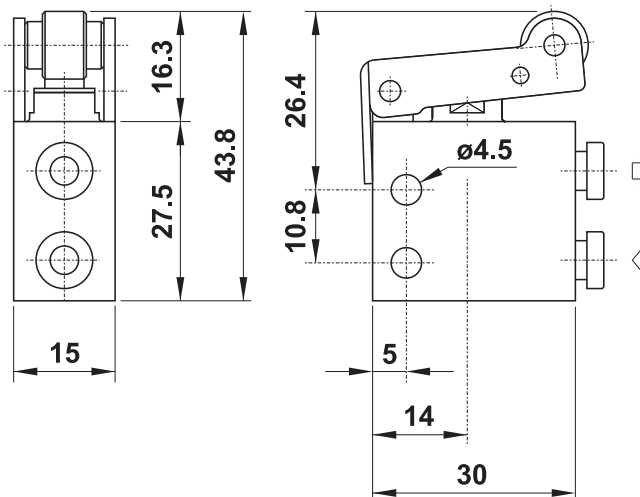
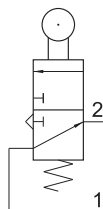
3/2 NC push-in fittings for $\varnothing 4$ tube (ports on the side), roller lever



314 MR UL

3/2 NA raccordi automatici per tubo $\varnothing 4$ (lateral), leva rullo

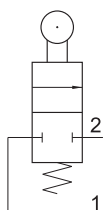
3/2 NO push-in fittings for $\varnothing 4$ tube (ports on the side), roller lever



204 MR UL

2/2 NC raccordi automatici per tubo $\varnothing 4$ (lateral), leva rullo

2/2 NC push-in fittings for $\varnothing 4$ tube (ports on the side), roller lever



microvalvole

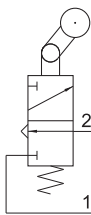
microvalves



304 MS UL

3/2 NC raccordi automatici per tubo $\varnothing 4$ (laterali),
leva unidirezionale

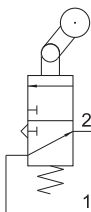
3/2 NC push-in fittings for $\varnothing 4$ tube (ports on the side),
uni-directional lever



314 MS UL

3/2 NA raccordi automatici per tubo $\varnothing 4$ (laterali),
leva unidirezionale

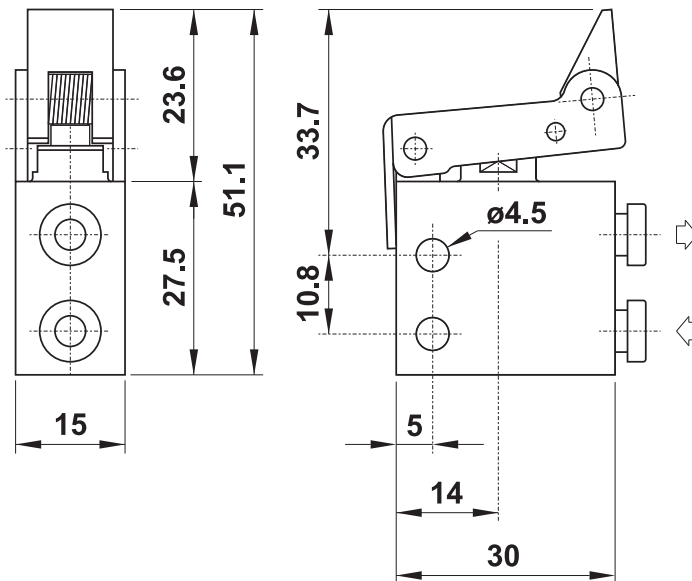
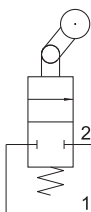
3/2 NO push-in fittings for $\varnothing 4$ tube (ports on the side),
uni-directional lever



204 MS UL

2/2 NC raccordi automatici per tubo $\varnothing 4$ (laterali),
leva unidirezionale

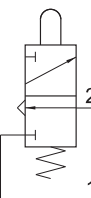
2/2 NC push-in fittings for $\varnothing 4$ tube (ports on the side),
uni-directional lever



304 MV UL

3/2 NC raccordi automatici per tubo $\varnothing 4$ (laterali),
pulsante passa parete

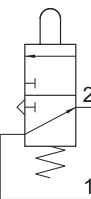
3/2 NC push-in fittings for $\varnothing 4$ tube (ports on the side),
panel mount tappet



314 MV UL

3/2 NA raccordi automatici per tubo $\varnothing 4$ (laterali),
pulsante passa parete

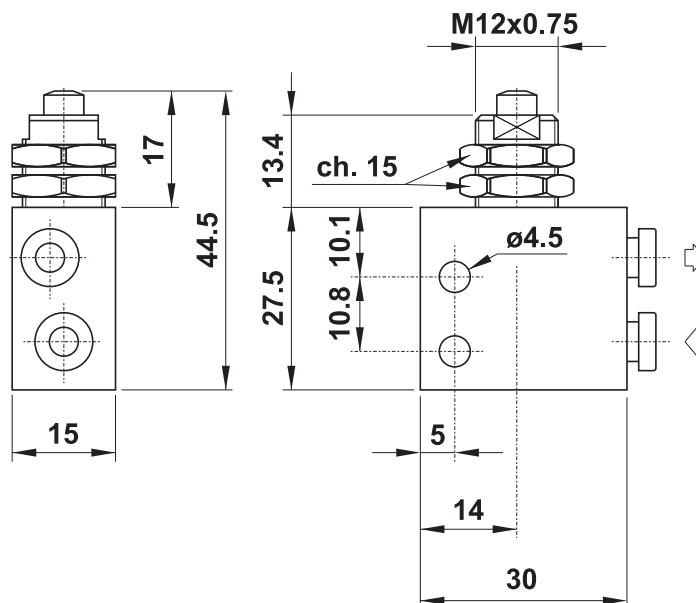
3/2 NO push-in fittings for $\varnothing 4$ tube (ports on the side),
panel mount tappet



204 MV UL

2/2 NC raccordi automatici per tubo $\varnothing 4$ (laterali),
pulsante passa parete

2/2 NC push-in fittings for $\varnothing 4$ tube (ports on the side),
panel mount tappet

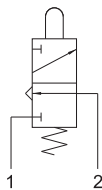




305 MA

3/2 NC attacchi filettati M5 (sotto),
pulsante

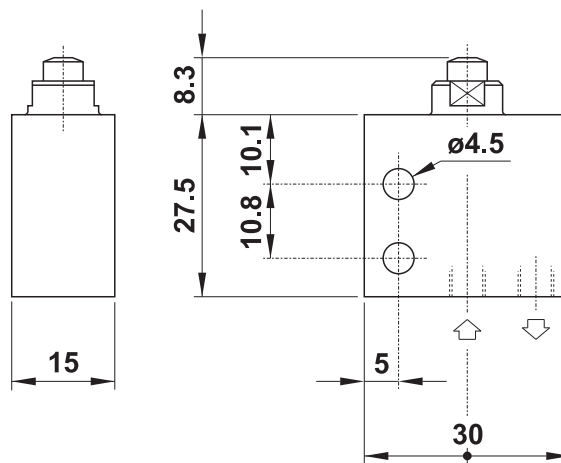
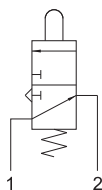
3/2 NC M5 threaded ports (on the bottom),
tappet



315 MA

3/2 NA attacchi filettati M5 (sotto),
pulsante

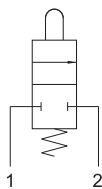
3/2 NO M5 threaded ports (on the bottom),
tappet



205 MA

2/2 NC attacchi filettati M5 (sotto),
pulsante

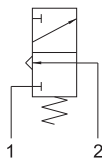
2/2 NC M5 threaded ports (on the bottom),
tappet



305 MB

3/2 NC attacchi filettati M5 (sotto),
interfaccia per attuatore da pannello

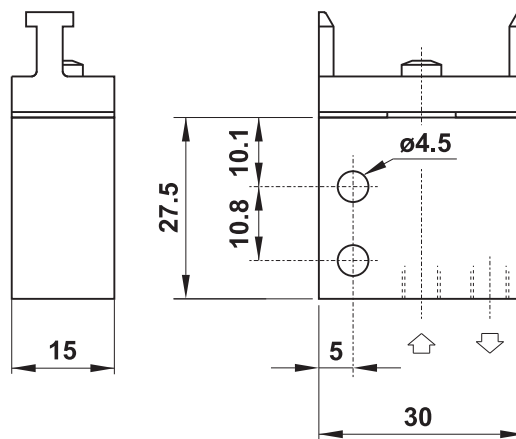
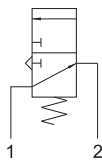
3/2 NC M5 threaded ports (on the bottom),
actuator adaptor for panel mounting



315 MB

3/2 NA attacchi filettati M5 (sotto),
interfaccia per attuatore da pannello

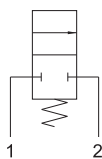
3/2 NO M5 threaded ports (on the bottom),
actuator adaptor for panel mounting



205 MB

2/2 NC attacchi filettati M5 (sotto),
interfaccia per attuatore da pannello

2/2 NC M5 threaded ports (on the bottom),
actuator adaptor for panel mounting

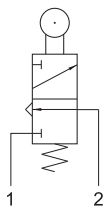




305 MR

3/2 NC attacchi filettati M5 (sotto),
leva rullo

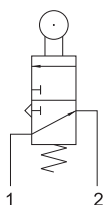
3/2 NC M5 threaded ports (on the bottom),
roller lever



315 MR

3/2 NA attacchi filettati M5 (sotto),
leva rullo

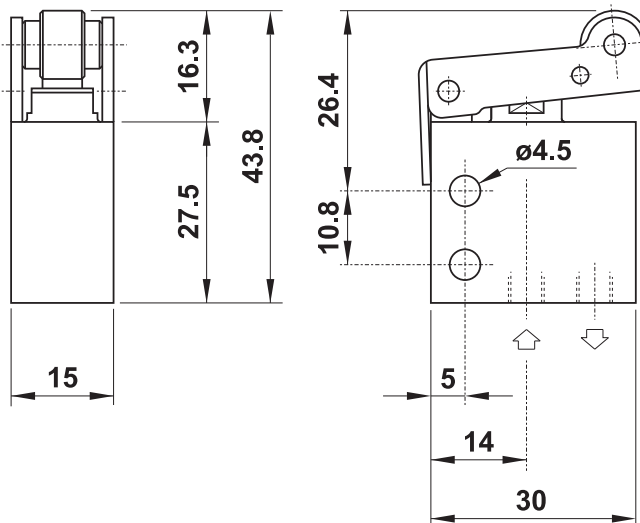
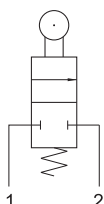
3/2 NO M5 threaded ports (on the bottom),
roller lever



205 MR

2/2 NC attacchi filettati M5 (sotto),
leva rullo

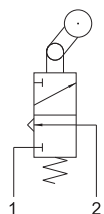
2/2 NC M5 threaded ports (on the bottom),
roller lever



305 MS

3/2 NC attacchi filettati M5 (sotto),
leva unidirezionale

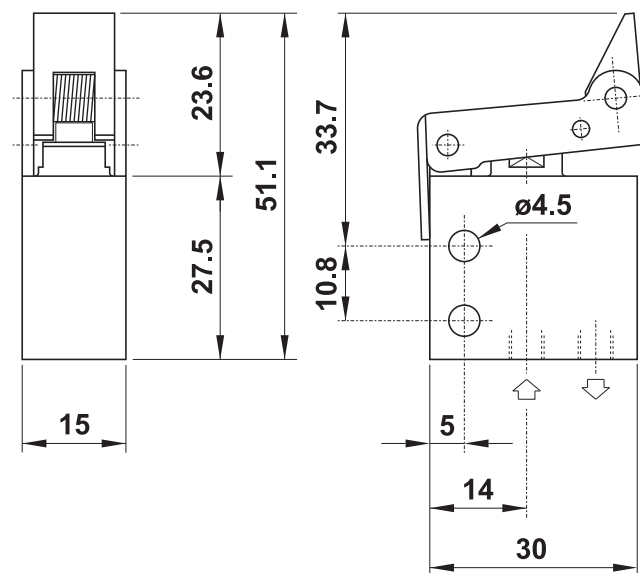
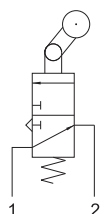
3/2 NC M5 threaded ports (on the bottom),
uni-directional lever



315 MS

3/2 NA attacchi filettati M5 (sotto),
leva unidirezionale

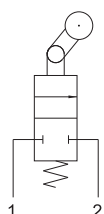
3/2 NO M5 threaded ports (on the bottom),
uni-directional lever



205 MS

2/2 NC attacchi filettati M5 (sotto),
leva unidirezionale

2/2 NC M5 threaded ports (on the bottom),
uni-directional lever

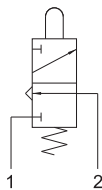




305 MV

3/2 NC attacchi filettati M5 (sotto),
pulsante passa parete

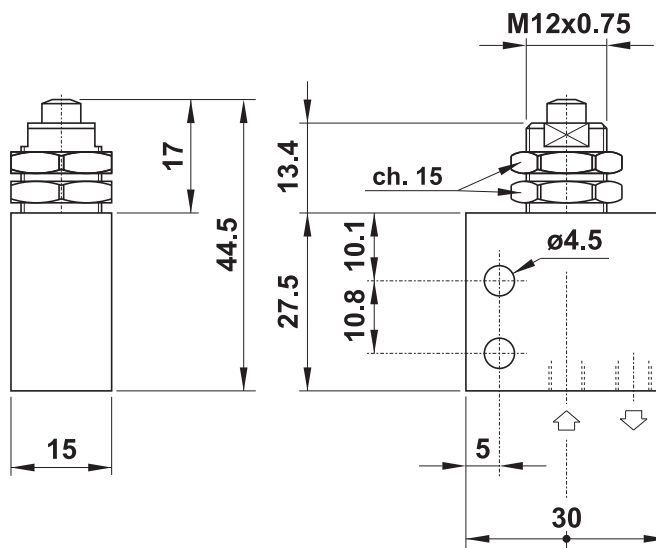
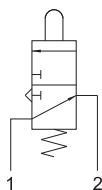
3/2 NC M5 threaded ports (on the bottom),
panel mount tappet



315 MV

3/2 NA attacchi filettati M5 (sotto),
pulsante passa parete

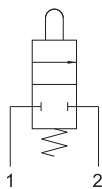
3/2 NO M5 threaded ports (on the bottom),
panel mount tappet



205 MV

2/2 NC attacchi filettati M5 (sotto),
pulsante passa parete

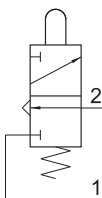
2/2 NC M5 threaded ports (on the bottom),
panel mount tappet



305 MA UL

3/2 NC attacchi filettati M5 (lateral),
pulsante

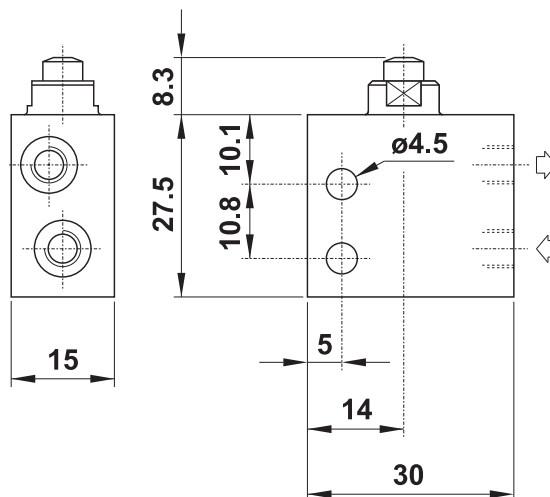
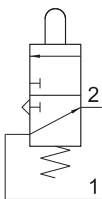
3/2 NC M5 threaded ports (on the side),
tappet



315 MA UL

3/2 NA attacchi filettati M5 (lateral),
pulsante

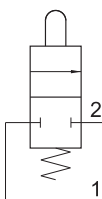
3/2 NO M5 threaded ports (on the side),
tappet



205 MA UL

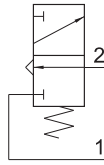
2/2 NC attacchi filettati M5 (lateral),
pulsante

2/2 NC M5 threaded ports (on the side),
tappet



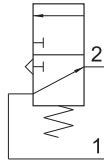
305 MB UL

3/2 NC attacchi filettati M5 (laterali),
interfaccia per attuatore da pannello
3/2 NC M5 threaded ports (on the side),
actuator adaptor for panel mounting



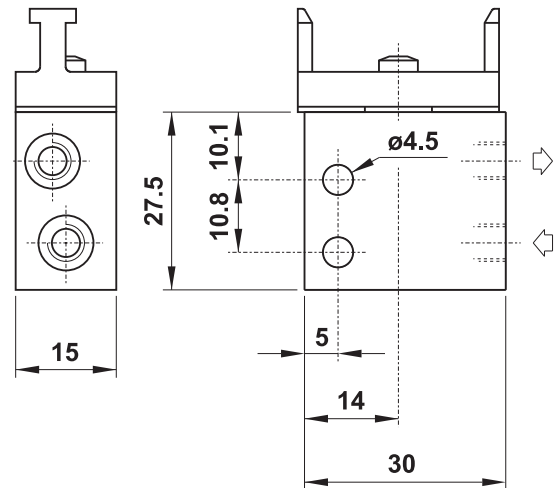
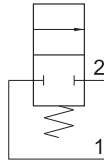
315 MB UL

3/2 NA attacchi filettati M5 (laterali),
interfaccia per attuatore da pannello
3/2 NO M5 threaded ports (on the side),
actuator adaptor for panel mounting



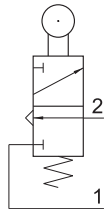
205 MB UL

2/2 NC attacchi filettati M5 (laterali),
interfaccia per attuatore da pannello
2/2 NC M5 threaded ports (on the side),
actuator adaptor for panel mounting



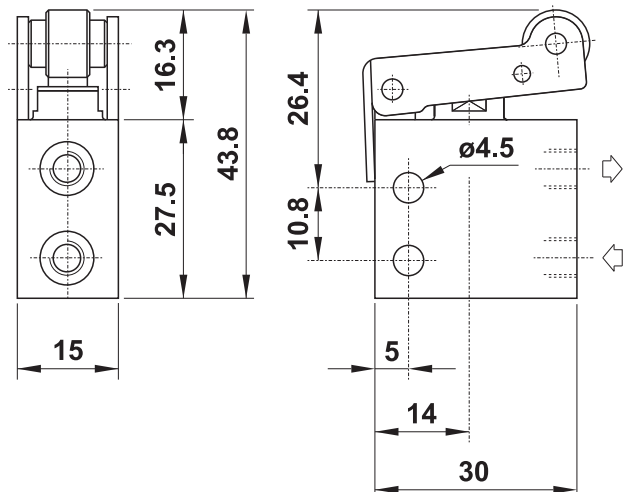
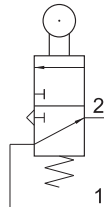
305 MR UL

3/2 NC attacchi filettati M5 (laterali),
leva rullo
3/2 NC M5 threaded ports (on the side),
roller lever



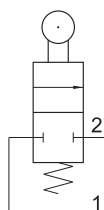
315 MR UL

3/2 NA attacchi filettati M5 (laterali),
leva rullo
3/2 NO M5 threaded ports (on the side),
roller lever



205 MR UL

2/2 NC attacchi filettati M5 (laterali),
leva rullo
2/2 NC M5 threaded ports (on the side),
roller lever

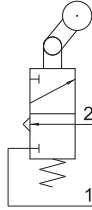




305 MS UL

3/2 NC attacchi filettati M5 (laterali),
leva unidirezionale

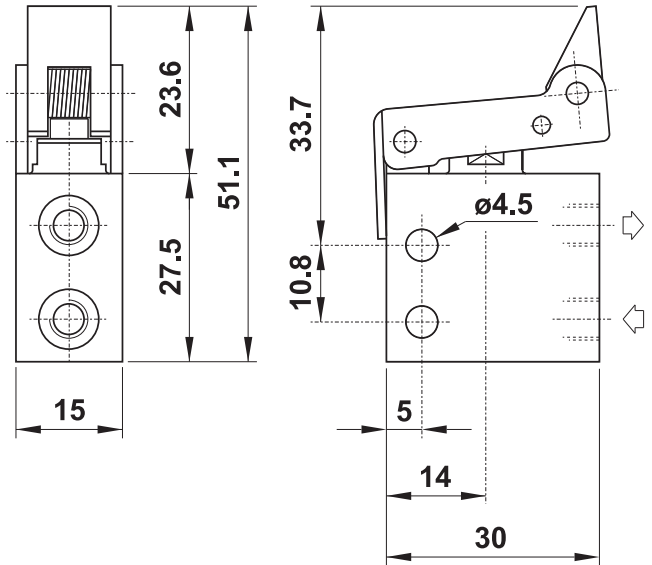
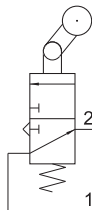
3/2 NC M5 threaded ports (on the side),
uni-directional lever



315 MS UL

3/2 NA attacchi filettati M5 (laterali),
leva unidirezionale

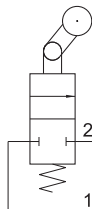
3/2 NO M5 threaded ports (on the side),
uni-directional lever



205 MS UL

2/2 NC attacchi filettati M5 (laterali),
leva unidirezionale

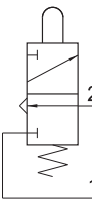
2/2 NC M5 threaded ports (on the side),
uni-directional lever



305 MV UL

3/2 NC attacchi filettati M5 (laterali),
pulsante passa parete

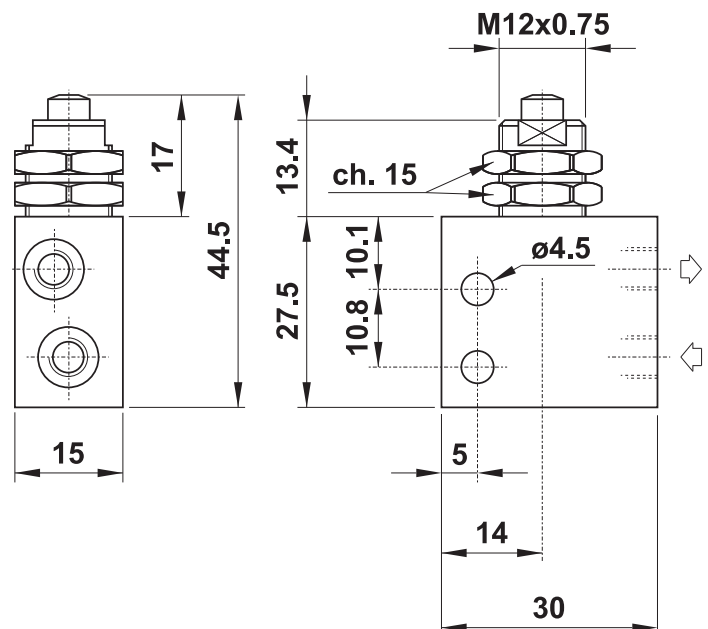
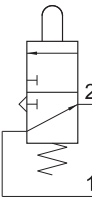
3/2 NC M5 threaded ports (on the side),
panel mount tappet



315 MV UL

3/2 NA attacchi filettati M5 (laterali),
pulsante passa parete

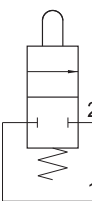
3/2 NO M5 threaded ports (on the side),
panel mount tappet



205 MV UL

2/2 NC attacchi filettati M5 (laterali),
pulsante passa parete

2/2 NC M5 threaded ports (on the side),
panel mount tappet



microvalvole

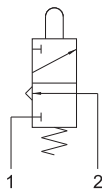
microvalves



304 MGx

3/2 NC raccordi automatici per tubo $\varnothing 4$ (sotto),
tasto (4 colori - vedi schema)

3/2 NC push-in fittings for $\varnothing 4$ tube (ports on the bottom),
push button (4 colours - see explanation)



Nella sigla del prodotto sostituire la lettera "x" con l'indicazione del colore del tasto.

In the part number replace the letter "x" with the colour reference of the push button.

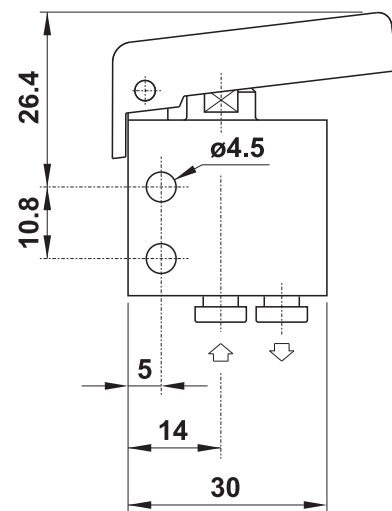
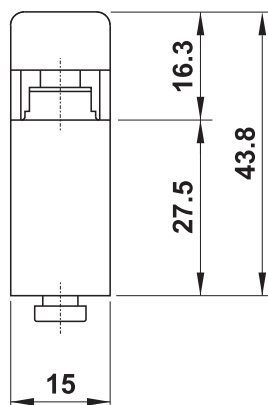
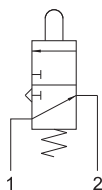
ROSSO - red	R
GIALLO - yellow	G
VERDE - green	V
NERO - black	N



314 MGx

3/2 NA raccordi automatici per tubo $\varnothing 4$ (sotto),
tasto (4 colori - vedi schema)

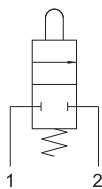
3/2 NO push-in fittings for $\varnothing 4$ tube (ports on the bottom),
push button (4 colours - see explanation)



204 MGx

2/2 NC raccordi automatici per tubo $\varnothing 4$ (sotto),
tasto (4 colori - vedi schema)

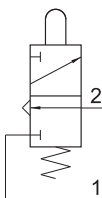
2/2 NC push-in fittings for $\varnothing 4$ tube (ports on the bottom),
push button (4 colours - see explanation)



304 MGx UL

3/2 NC raccordi automatici per tubo $\varnothing 4$ (laterali),
tasto (4 colori - vedi schema)

3/2 NC push-in fittings for $\varnothing 4$ tube (ports on the side),
push button (4 colours - see explanation)



Nella sigla del prodotto sostituire la lettera "x" con l'indicazione del colore del tasto.

In the part number replace the letter "x" with the colour reference of the push button.

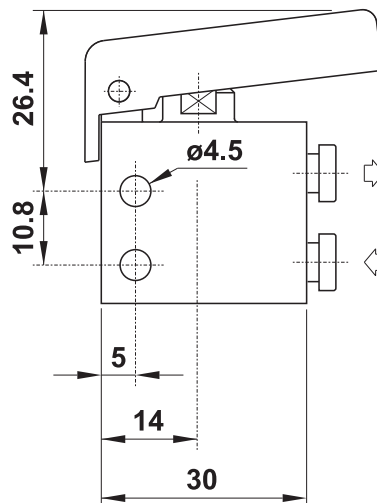
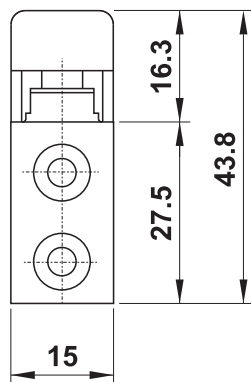
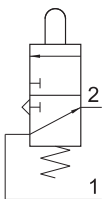
ROSSO - red	R
GIALLO - yellow	G
VERDE - green	V
NERO - black	N



314 MGx UL

3/2 NA raccordi automatici per tubo $\varnothing 4$ (laterali),
tasto (4 colori - vedi schema)

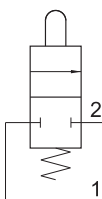
3/2 NO push-in fittings for $\varnothing 4$ tube (ports on the side),
push button (4 colours - see explanation)



204 MGx UL

2/2 NC raccordi automatici per tubo $\varnothing 4$ (laterali),
tasto (4 colori - vedi schema)

2/2 NC push-in fittings for $\varnothing 4$ tube (ports on the side),
push button (4 colours - see explanation)



microvalvole

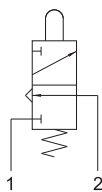
microvalves



305 MGx

3/2 NC attacchi filettati M5 (sotto),
tasto (4 colori - vedi schema)

3/2 NC M5 threaded ports (on the bottom),
push button (4 colours - see explanation)



Nella sigla del prodotto sostituire la lettera "x" con l'indicazione del colore del tasto.
In the part number replace the letter "x" with the colour reference of the push button.

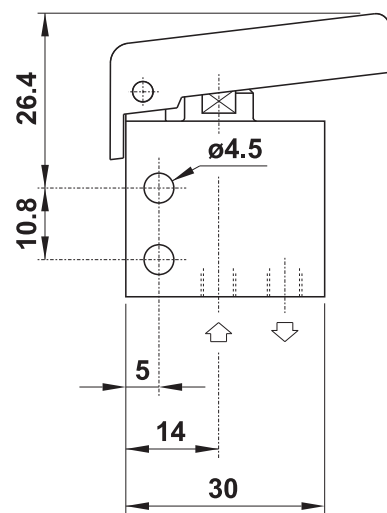
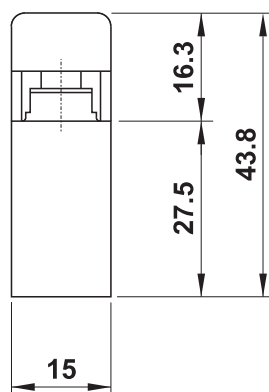
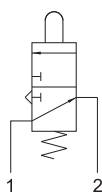
ROSSO - red	R
GIALLO - yellow	G
VERDE - green	V
NERO - black	N



315 MGx

3/2 NA attacchi filettati M5 (sotto),
tasto (4 colori - vedi schema)

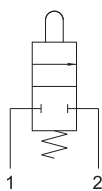
3/2 NO M5 threaded ports (on the bottom),
push button (4 colours - see explanation)



205 MGx

2/2 NC attacchi filettati M5 (sotto),
tasto (4 colori - vedi schema)

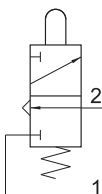
2/2 NC M5 threaded ports (on the bottom),
push button (4 colours - see explanation)



305 MGx UL

3/2 NC attacchi filettati M5 (lateral),
tasto (4 colori - vedi schema)

3/2 NC M5 threaded ports (on the side),
push button (4 colours - see explanation)



Nella sigla del prodotto sostituire la lettera "x" con l'indicazione del colore del tasto.
In the part number replace the letter "x" with the colour reference of the push button.

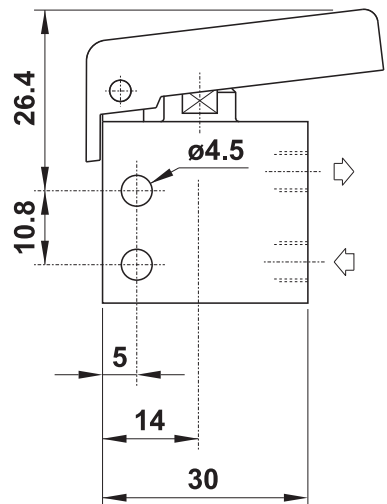
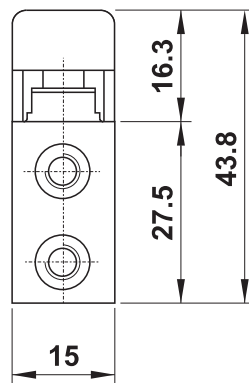
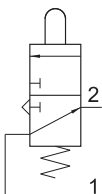
ROSSO - red	R
GIALLO - yellow	G
VERDE - green	V
NERO - black	N



315 MGx UL

3/2 NA attacchi filettati M5 (lateral),
tasto (4 colori - vedi schema)

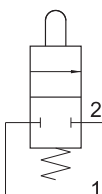
3/2 NO M5 threaded ports (on the side),
push button (4 colours - see explanation)



205 MGx UL

2/2 NC attacchi filettati M5 (lateral),
tasto (4 colori - vedi schema)

2/2 NC M5 threaded ports (on the side),
push button (4 colours - see explanation)

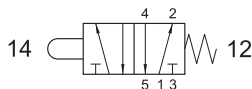


microvalvole

microvalves



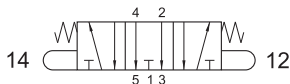
504 MB



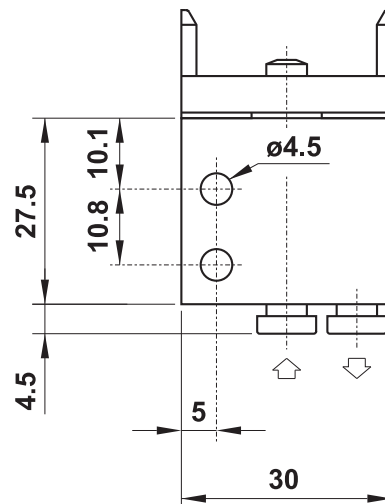
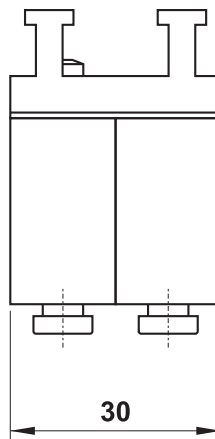
- 5/2 raccordi automatici per tubo $\varnothing 4$ (sotto), interfaccia per attuatore da pannello
- 5/2 *push-in fittings for $\varnothing 4$ tube (ports on the bottom), actuator adaptor for panel mounting*



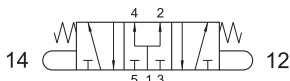
2.304 MB



- 5/3 centri aperti
- raccordi automatici per tubo $\varnothing 4$ (sotto), interfaccia per attuatore da pannello
- 5/3 *open centres*
- push-in fittings for $\varnothing 4$ tube (ports on the bottom), actuator adaptor for panel mounting*

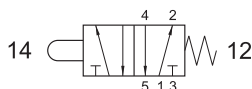


2.314 MB



- 5/3 centri in pressione
- raccordi automatici per tubo $\varnothing 4$ (sotto), interfaccia per attuatore da pannello
- 5/3 *pressurized centres*
- push-in fittings for $\varnothing 4$ tube (ports on the bottom), actuator adaptor for panel mounting*

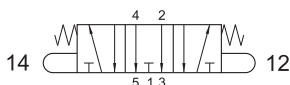
505 MB



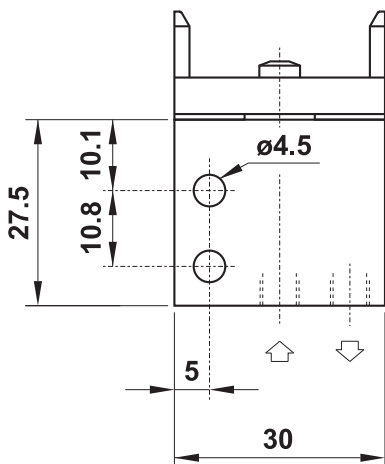
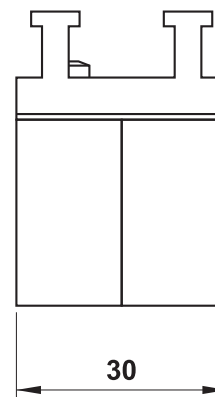
- 5/2 attacchi filettati M5 (sotto), interfaccia per attuatore da pannello
- 5/2 *M5 threaded ports (on the bottom), actuator adaptor for panel mounting*



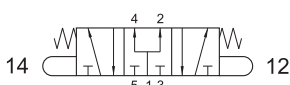
2.305 MB



- 5/3 centri aperti
- attacchi filettati M5 (sotto), interfaccia per attuatore da pannello
- 5/3 *open centres*
- M5 threaded ports (on the bottom), actuator adaptor for panel mounting*

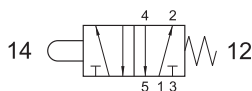


2.315 MB



- 5/3 centri in pressione
- attacchi filettati M5 (sotto), interfaccia per attuatore da pannello
- 5/3 *pressurized centres*
- M5 threaded ports (on the bottom), actuator adaptor for panel mounting*

504 MB UL

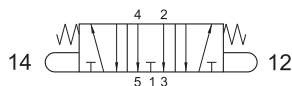


5/2 raccordi automatici per tubo $\varnothing 4$ (laterali),
interfaccia per attuatore da pannello

5/2 *push-in fittings for $\varnothing 4$ tube (ports on the side),
actuator adaptor for panel mounting*



2.304 MB UL

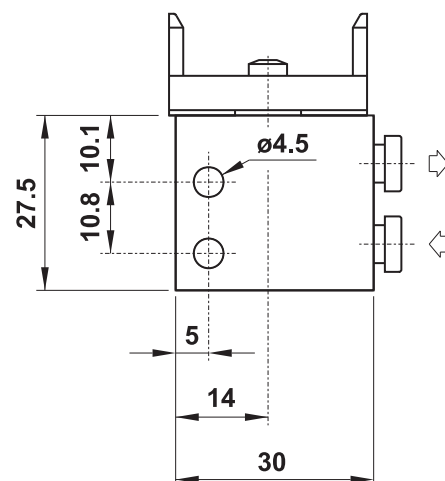
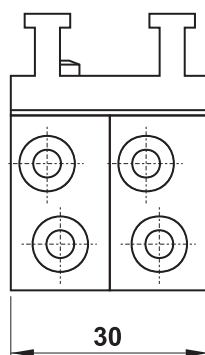


5/3 centri aperti

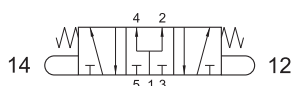
raccordi automatici per tubo $\varnothing 4$ (laterali),
interfaccia per attuatore da pannello

5/3 *open centres*

*push-in fittings for $\varnothing 4$ tube (ports on the side),
actuator adaptor for panel mounting*



2.314 MB UL



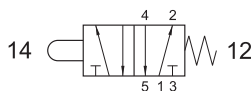
5/3 centri in pressione

raccordi automatici per tubo $\varnothing 4$ (laterali),
interfaccia per attuatore da pannello

5/3 *pressurized centres*

*push-in fittings for $\varnothing 4$ tube (ports on the side),
actuator adaptor for panel mounting*

505 MB UL

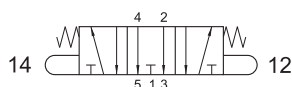


5/2 attacchi filettati M5 (laterali),
interfaccia per attuatore da pannello

5/2 *M5 threaded ports (on the side),
actuator adaptor for panel mounting*



2.305 MB UL

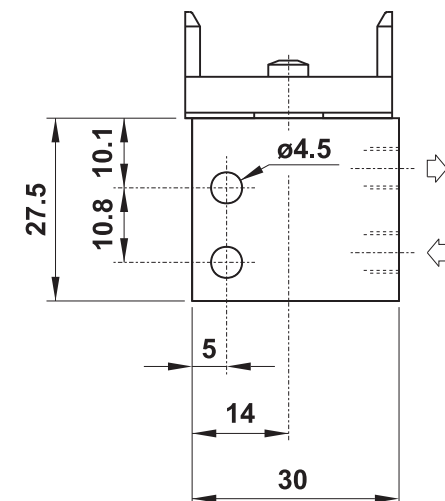
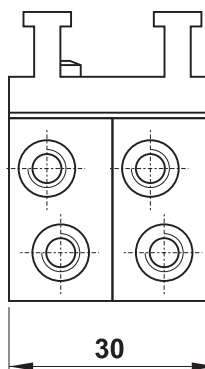


5/3 centri aperti

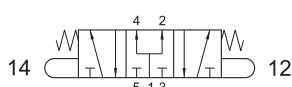
attacchi filettati M5 (laterali),
interfaccia per attuatore da pannello

5/3 *open centres*

*M5 threaded ports (on the side),
actuator adaptor for panel mounting*



2.315 MB UL



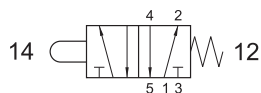
5/3 centri in pressione

attacchi filettati M5 (laterali),
interfaccia per attuatore da pannello

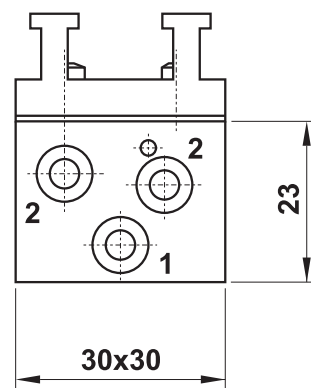
5/3 *pressurized centres*

*M5 threaded ports (on the side),
actuator adaptor for panel mounting*

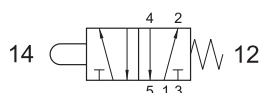
504 MB CU



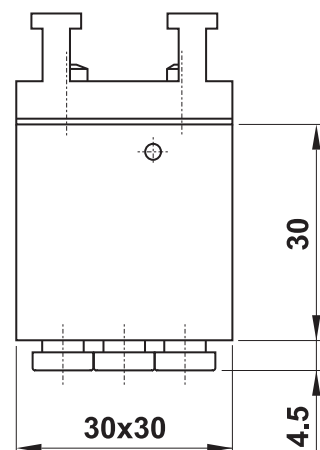
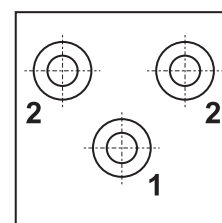
- 5/2 corpo unico
- raccordi automatici per tubo $\varnothing 4$ (laterali), interfaccia per attuatore da pannello
- 5/2 *single valve body*
- push-in fittings for $\varnothing 4$ tube (ports on the side), actuator adaptor for panel mounting*



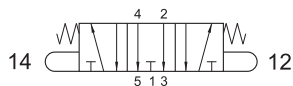
504 MB CU US



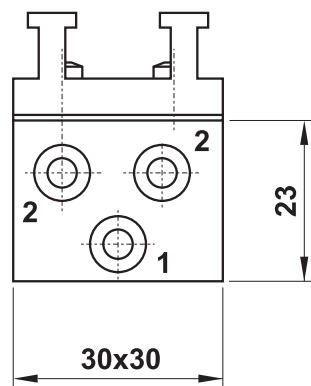
- 5/2 corpo unico
- raccordi automatici per tubo $\varnothing 4$ (sotto), interfaccia per attuatore da pannello
- 5/2 *single valve body*
- push-in fittings for $\varnothing 4$ tube (ports on the bottom), actuator adaptor for panel mounting*



2.304 MB CU

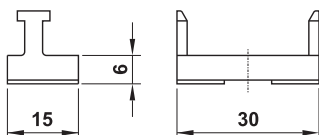


- 5/3 centri aperti, corpo unico
- raccordi automatici per tubo $\varnothing 4$ (laterali), interfaccia per attuatore da pannello
- 5/3 *open centres, single valve body*
- push-in fittings for $\varnothing 4$ tube (ports on the side), actuator adaptor for panel mounting*



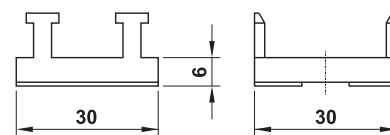
08.017.2

- interfaccia singola per attuatore a pannello completa di viti
- single adaptor for panel mounting actuator, complete with fixing screws*



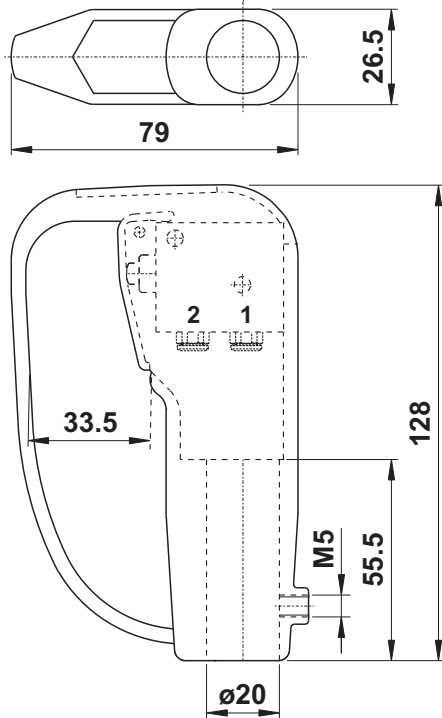
08.015.2

- interfaccia doppia per attuatore a pannello completa di viti
- double adaptor for panel mounting actuator, complete with fixing screws*



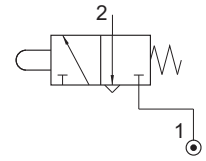
microvalvola con maniglia

microvalve with handle



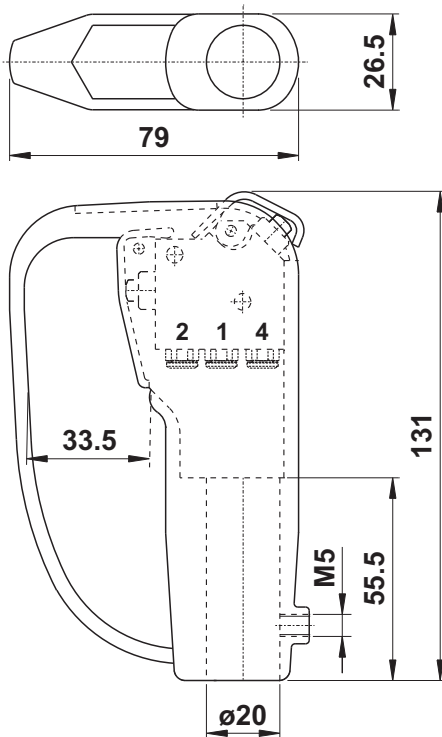
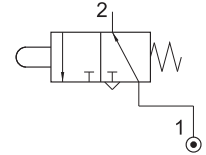
08.306.4

Maniglia con una microvalvola a otturatore 3/2 NC. La maniglia è fornita in kit semiassemblato.
Handle mounted with one 3/2 NC poppet microvalve. The handle is supplied in half-assembled kit.



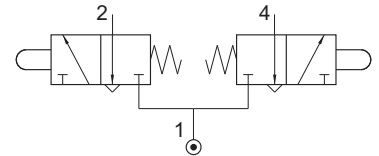
08.307.4

Maniglia con una microvalvola a otturatore 3/2 NA. La maniglia è fornita in kit semiassemblato.
Handle mounted with one 3/2 NO poppet microvalve. The handle is supplied in half-assembled kit.



08.209.4

Maniglia con due microvalvole a otturatore 3/2 NC. La maniglia è fornita in kit semiassemblato.
Handle mounted with two 3/2 NC poppet microvalves. The handle is supplied in half-assembled kit.



Attacchi <i>Ports</i>	automatici tubo ø4 <i>ø4 push-in fittings</i>
Diametro nominale <i>Nominal orifice</i>	2.5 mm
Portata nominale a 6 bar, Δp 1 bar <i>Nominal flow rate at 6 bar, Δp 1 bar</i>	100 NI/min
Temperatura di esercizio <i>Temperature range</i>	max +60°C
Pressione di esercizio <i>Working pressure</i>	2 ... 10 bar 0.2 ... 1 MPa
Fluido <i>Fluid</i>	Aria filtrata 50μ con o senza lubrificazione <i>50μ filtered, lubricated or non lubricated air</i>

Materiali

Corpo valvola: alluminio 11S
 Molle: INOX
 Guarnizioni: NBR
 Parti interne: ottone OT58
 Maniglia: materiale plastico antiurto

Materials

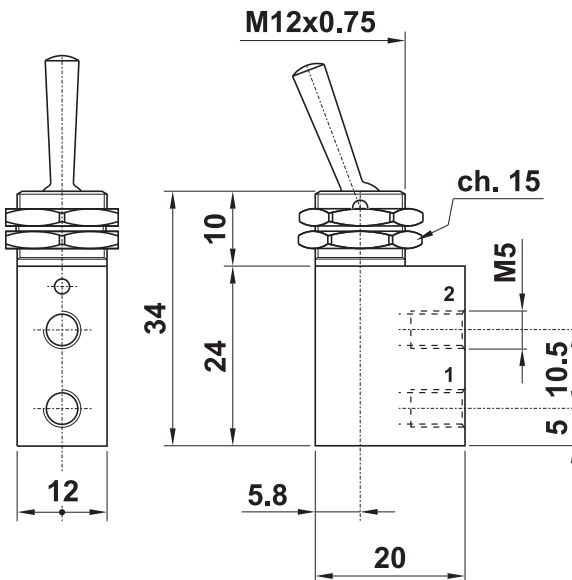
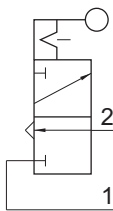
Valve body: aluminium 11S
 Springs: stainless steel
 Seals: NBR
 Internal parts: brass OT58
 Handle: shock resistant plastic material

305 LL - 03.011.4

3/2 NC attacchi filettati M5
leva in testa bistabile
scarico non convogliabile
materiale corpo: ottone nichelato

3/2 NC *M5 threaded ports*
bi-stable lever
exhaust port without thread
body material: nickel plated brass

Pressione di esercizio: 0 ... 10 bar
Working pressure: 0 ... 10 bar

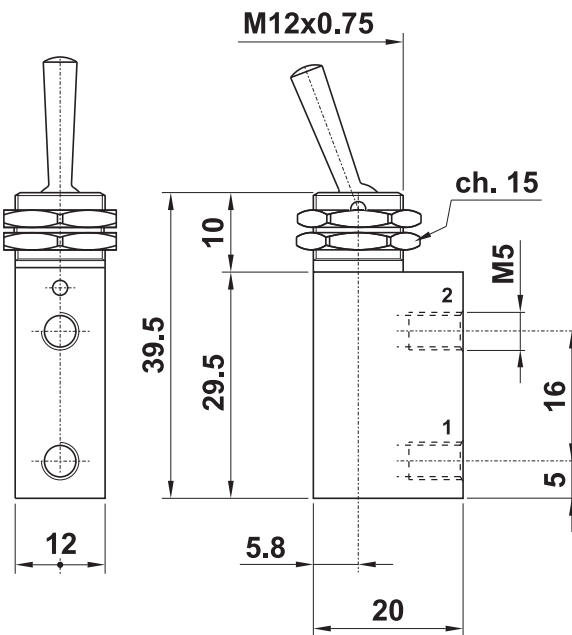
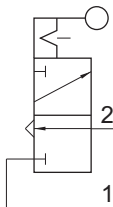


03.024.4

3/2 NC attacchi filettati M5, corpo prolungato
leva in testa bistabile
scarico non convogliabile
materiale corpo: ottone nichelato

3/2 NC *M5 threaded ports, longer valve body*
bi-stable lever
exhaust port without thread
body material: nickel plated brass

Pressione di esercizio: 0 ... 10 bar
Working pressure: 0 ... 10 bar

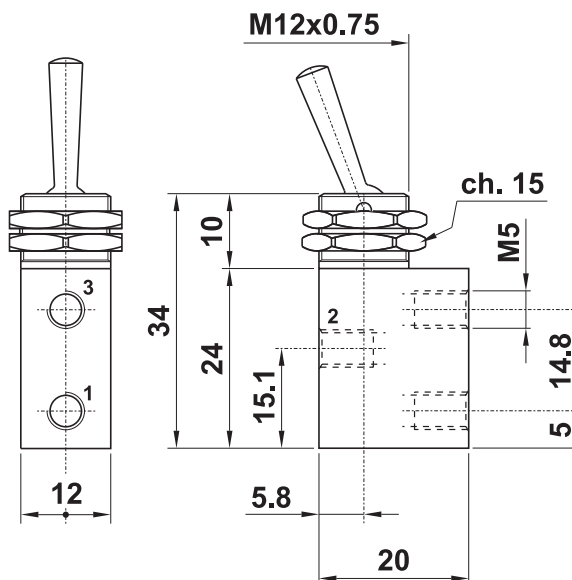
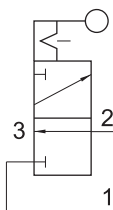


03.044.4

3/2 NC attacchi filettati M5
leva in testa bistabile
scarico convogliabile M5
materiale corpo: ottone nichelato

3/2 NC *M5 threaded ports*
bi-stable lever
exhaust port with thread M5
body material: nickel plated brass

Pressione di esercizio: 0 ... 10 bar
Working pressure: 0 ... 10 bar



attuatori da pannello

actuators for panel mounting



pulsante protetto protected push button

codice code	colori standard standard colours
PR1/NRB	ROSSO, NERO e BIANCO (forniti assieme nel kit) red, black and white (supplied in kit)

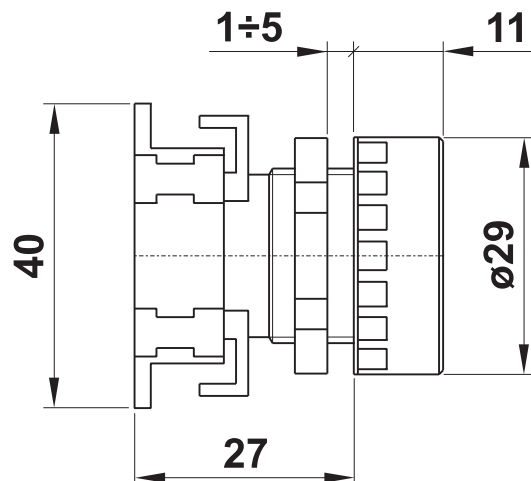
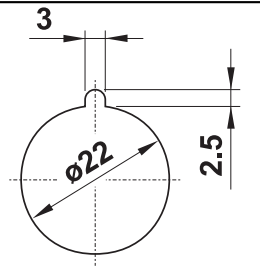
- I seguenti colori sono disponibili ordinandoli in aggiunta al kit standard
The following colours can be ordered separately

codice code	colore colour
DCV1	VERDE [green]
DCG1	GIALLO [yellow]
DCA1	AZZURRO [light blue]
DCB1	BIANCO [white]

codice code	colore colour
DCN1	NERO [black]
DCR1	ROSSO [red]

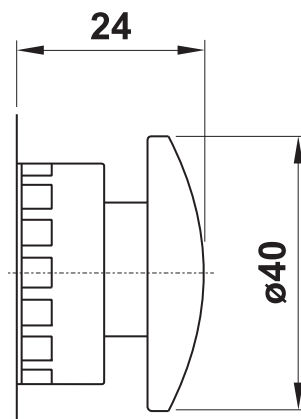
Foro per montaggio a pannello
con asola antirotazione

Panel mounting hole with antirotation
feature



fungo ø40 ø40 mushroom

codice code	descrizione description	colore colour
PF2/40	monostabile assiale [axial mono-stable]	ROSSO [red]
PF1/40	monostabile assiale [axial mono-stable]	NERO [black]
PFB2/40	sblocco a rotazione [turn to unlock]	ROSSO [red]

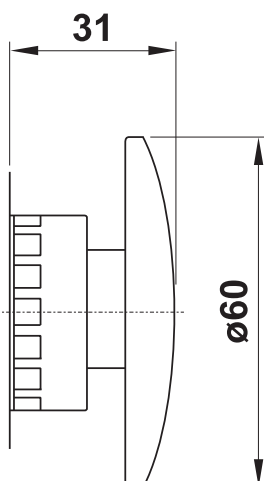


attuatori da pannello

actuators for panel mounting

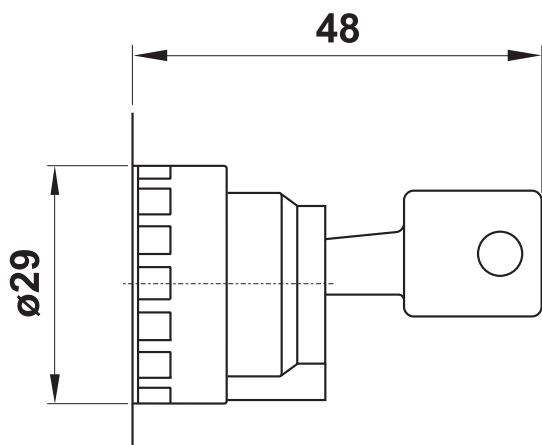


fungo ø60
ø60 palm



codice <i>code</i>	descrizione <i>description</i>	colore <i>colour</i>
PFBA2	oscillante <i>[multi-directional]</i>	ROSSO <i>[red]</i>
PFB2/60	sblocco a rotazione <i>[turn to unlock]</i>	ROSSO <i>[red]</i>

selettore a chiave
key selector



codice <i>code</i>	funzione <i>function</i>	posizione di estrazione chiave <i>position to pull the key out</i>
SSC/CD-V	0 1	solo centrale <i>[only in central position]</i>
SSC/CD-Z	0 1	ambedue <i>[both positions]</i>
SSC/E-V	2 0 1	solo centrale <i>[only in central position]</i>

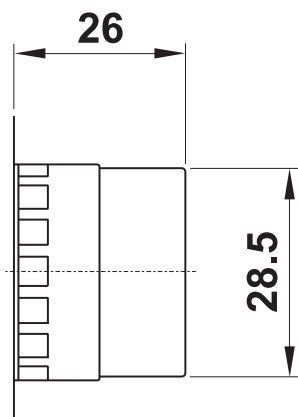
attuatori da pannello

actuators for panel mounting



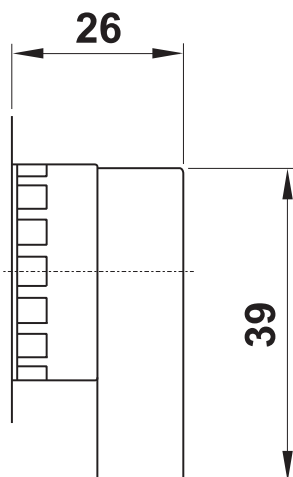
selettore leva corta short lever selector

codice code	colore colour	funzione function
SS1/CD	NERO black	0 1
SS1/CD-R	NERO black	0 ← 1
SS1/E	NERO black	2 0 1
SS1/E-RC	NERO black	2 → 0 ← 1



selettore leva lunga long lever selector

codice code	colore colour	funzione function
SSP1/CD	NERO black	0 1
SSP1/CD/R	NERO black	0 ← 1
SSP1/E	NERO black	2 0 1
SSP1/E-RC	NERO black	2 → 0 ← 1



Materiale Material	Materiale plastico ad alte prestazioni High performance plastic material
Grado di protezione Protection degree	IP 55
Corrispondenza alle norme According to norms	EN 60947-5-1 VDE 0660 IEC 947-5
Temperatura di esercizio Temperature range	max +55°C
Durata meccanica Mechanical life time	500000 manovre [actuations]

microvalvole

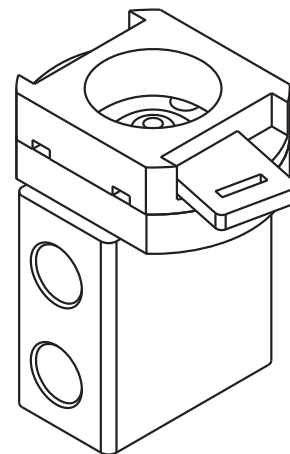
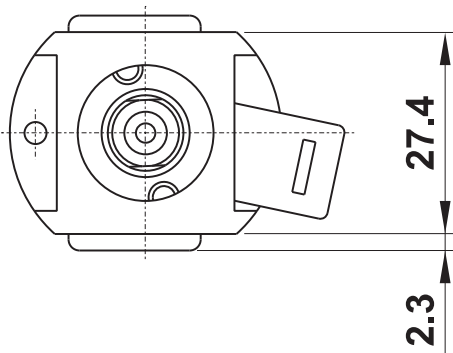
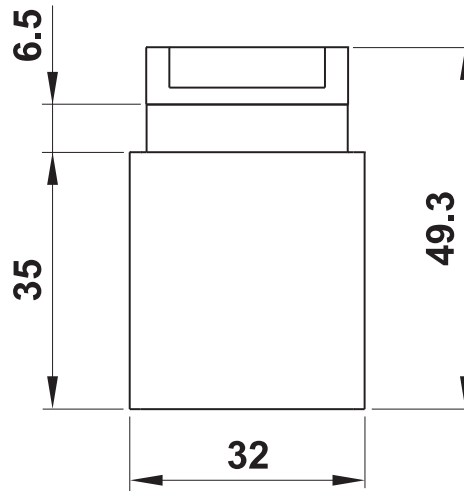
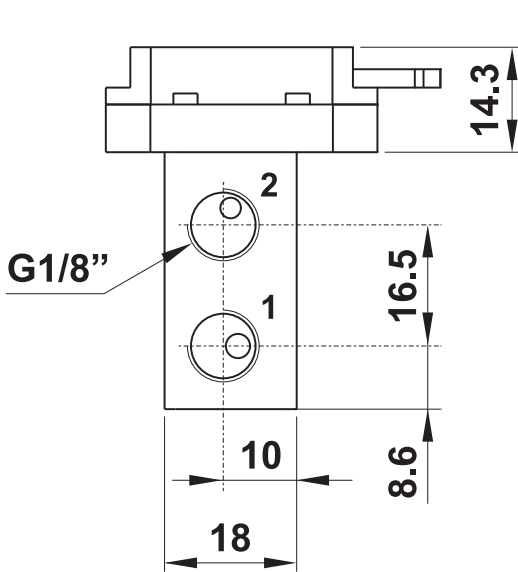
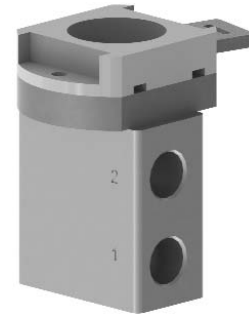
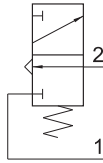
microvalves



08.341.4

3/2 NC attacchi filettati G1/8" (laterali),
interfaccia per attuatore da pannello

3/2 NC G1/8" threaded ports (on the side),
actuator adaptor for panel mounting



La valvola è venduta senza attuatore da pannello, facilmente reperibile sul mercato.

È una valida ed economica alternativa per la ricambistica.

The valve is sold without actuator for panel mounting. The actuator can be easily found on the market. It is a reliable and cheap alternative as spare part.