



PrimaVision Power for CDM

HID-PV C 150 /S CDM 220-240V 50/60Hz

PrimaVision Power gear is designed for optimal performance of 100 and 150 W CDM lamps – ideal where high-intensity light is key.

Product data

• General Information

| | |
|--|--------------|
| Lamp Type | CDM |
| Number Of Lamps | 1 piece/unit |
| Suitable For Outdoor Use | No |
| Number Of Products On MCB (16A Type B) (Nom) | 6 |
| Automatic Restart | Yes |

• Operating and Electrical

| | |
|--------------------------------|--------------|
| Input Voltage | 220 to 240 V |
| Input Frequency | 50 to 60 Hz |
| Operating Frequency (Nom) | 0.14 kHz |
| Power Factor 100% Load (Nom) | 0.95 |
| Ignition Voltage (Max) | 5.0 kV |
| Ignition Switch-Off Time (Nom) | 20 min |
| Mains Voltage Performance (AC) | -10%+6% |
| Mains Voltage Safety (AC) | -18%+10% |
| Earth Leakage Current (Max) | 0.35 mA |
| Inrush Current | .50 ms |
| Width | |
| Constant Wattage Deviation | -3%/+3% |
| Power Losses (Nom) | 10 W |
| Inrush Current Peak (Max) | 50 A |

• Wiring

| | |
|------------------------------------|---------------------------|
| Cable Capacity | 200 pF |
| Output Wires Mutual (Nom) | |
| Cable Length From Device To Lamp | 2.0 m |
| Wire Striplength | 10.0-11.0 mm |
| Ballast Contact Wire Cross Section | 0.50-2.50 mm ² |
| Connector Type | Insert |

• System characteristics

| | |
|--------------------------|-------|
| Rated Ballast-Lamp Power | 150 W |
|--------------------------|-------|

• Temperature

| | |
|-----------------------|--------|
| T-Ambient (Max) | 60 °C |
| T-Ambient (Min) | -20 °C |
| T-Storage (Max) | 85 °C |
| T-Storage (Min) | -25 °C |
| T-Case Lifetime (Nom) | 75 °C |
| T-Case Maximum (Max) | 85 °C |

• Mechanical and Housing

| | |
|---------|----|
| Housing | -S |
|---------|----|

• Approval and Application

| | |
|-------------------------------|-----------------|
| Active Temperature Protection | Yes |
| EMI 9 kHz ... 300 MHz | CISPR 15 ed 7.2 |

PHILIPS

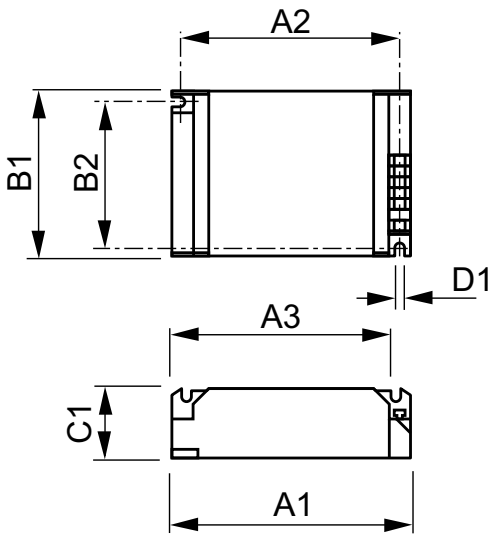
Vibration Standard IEC60068-2-6FC
 Bumps Standard IEC 60068-2-29 Eb
 Approval Marks F-Marking
 CE marking
 VDE certificate
 VDE-EMV certificate
 CB Certificate
 Hum And Noise Level Inaudible

Order product name HID-PV C 150 /S CDM 220-240V 50/60Hz
 EAN/UPC - Product 8711500910523
 Order code 913700614066
 Numerator - Quantity Per Pack 1
 Numerator - Packs per outer box 12
 Material Nr. (12NC) 913700614066
 Net Weight (Piece) 0.360 kg

• Product Data

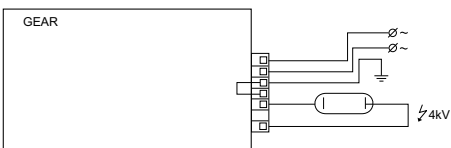
Full product code 871150091052330

Dimensional drawing



HID-PV C 150 /S CDM 220-240V 50/60Hz

| Product | D1 | C1 | A1 | A2 | B1 | B2 |
|--------------------------------------|--------|---------|----------|----------|---------|---------|
| HID-PV C 150 /S CDM 220-240V 50/60Hz | 4.8 mm | 32.0 mm | 135.0 mm | 123.5 mm | 75.0 mm | 63.5 mm |



© 2016 Philips Lighting Holding B.V.
 All rights reserved.

Specifications are subject to change without notice. Trademarks are the property of Koninklijke Philips N.V. (Royal Philips) or their respective owners.

www.philips.com/lighting

2016, March 15
 data subject to change